

Project:

Item Number:

Quantity:

**FROZEN BEVERAGE / GRANITA COUNTERTOP DISPENSER**



**ITEMS**

- SCBA118-37 One 6-Liter Bowl
- SCBA128-37 Two 6-Liter Bowl
- SCBA168-37 Three 6-Liter Bowl
- SCBF118-37 One 10-Liter Bowl
- SCBF128-37 Two 10-Liter Bowl
- SCBF168-37 Three 10-Liter Bowl

**FEATURES**

- Magnetic drive & brushless motor system is reliable, durable and easy to use.
- Digital control allows user to customize settings for repeatable results and menu flexibility.
- Built-in timer to automatically put the machine in night mode
- Gasket-less spigot is easy to clean and maintain
- Standard double-wall bowls, ensuring virtually no condensation on the outside of unit
- Large compressor reduces freeze down times and promotes efficient operation

**DESCRIPTION**

Stoelting's SCBA, SCBF Frozen Beverage / Granita Countertop Dispenser is specifically designed to make slushes, sorbets, yogurts, and frozen creams. The product offerings in single, double and triple bowl options allow for many frozen beverage menu options.

**WARRANTY:** Five years on major components; One year on labor and non-wear parts.



Every machine includes Stoelting's White Glove Service. One call does it all – customer service, technical service, parts or warranty information, installation, startup, sales, on-site service dispatch and much more. Available 24 hours a day, seven days a week year-round.

Approvals	Date

Continuous research leads to ongoing product improvements; therefore, these specifications are subject to change without notice and should not be used as installation specifications.

# FROZEN BEVERAGE / GRANITA COUNTERTOP DISPENSER

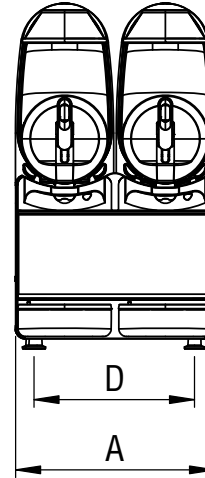
## DIMENSIONS (shown in inches (cm))

Front View

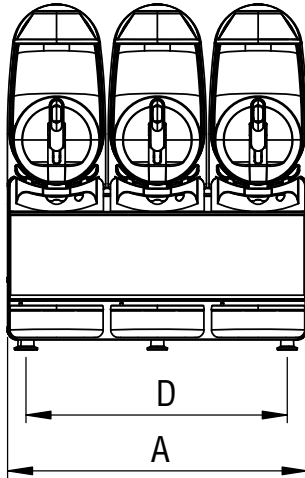
SCBA-118 &  
SCBF-118



SCBA-128 &  
SCBF-128

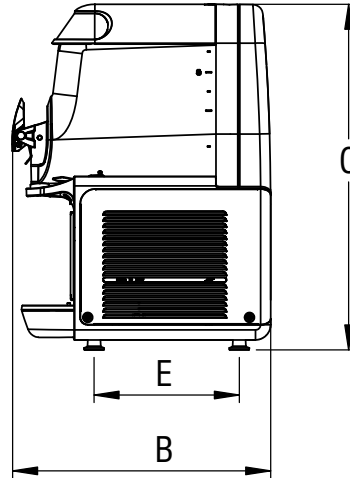


SCBA-168 &  
SCBF-168



Side View

All Machines



## SPECIFICATIONS

Item No.	Bowl Capacity Gal (L)	Electrical					Plug	Compressor (Btu/hr)	Dimension - in (cm)					Weight lb (Kg)	Crated Weight lb (kg)
		Voltage	Hz	Phase	Amps	(A) Width			(B) Depth	(C) Height	(D) Foot-to-Foot	(E) Foot-to-Foot			
SCBA118-37	1 x 1.5 (6)	115	60	1	4.8	NEMA 5-20P	830	7.8 (19.8)	18.9 (48.0)	24.0 (60.9)	5.0 (12.7)	11.3 (28.7)	58 (26.3)	63 (28.6)	
SCBA128-37	2 x 1.5 (6)	115	60	1	6.0	NEMA 5-20P	1900	15.6 (39.6)	18.9 (48.0)	24.0 (60.9)	12.5 (31.8)	11.3 (28.7)	96 (43.5)	102 (46.3)	
SCBA168-37	3 x 1.5 (6)	115	60	1	9.6	NEMA 5-20P	2550	23.6 (59.9)	18.9 (48.0)	24.0 (60.9)	20.4 (51.8)	11.3 (28.7)	122 (55.3)	128 (58.1)	
SCBF118-37	1 x 2.5 (10)	115	60	1	4.8	NEMA 5-20P	1100	7.8 (19.8)	18.9 (48.0)	27.9 (70.9)	5.0 (12.7)	11.3 (28.7)	61 (27.7)	66 (29.9)	
SCBF128-37	2 x 2.5 (10)	115	60	1	10.0	NEMA 5-20P	2550	15.6 (39.6)	18.9 (48.0)	27.9 (70.9)	12.5 (31.8)	11.3 (28.7)	99 (44.9)	105 (47.6)	
SCBF168-37	3 x 2.5 (10)	115	60	1	13.9	NEMA 5-20P	3630	23.6 (59.9)	18.9 (48.0)	27.9 (70.9)	20.4 (51.8)	11.3 (28.7)	129 (58.5)	136 (61.7)	

For indoor use only. Ambient temperature must be between 41 and 89°F  
All models require 6" (15.2 cm) clearance on all sides.



**Service Information**

800-319-9549 (U.S. Toll Free)  
920-894-2293 (Outside the U.S.)  
www.stoeltingfoodservice.com  
www.vollrath.com