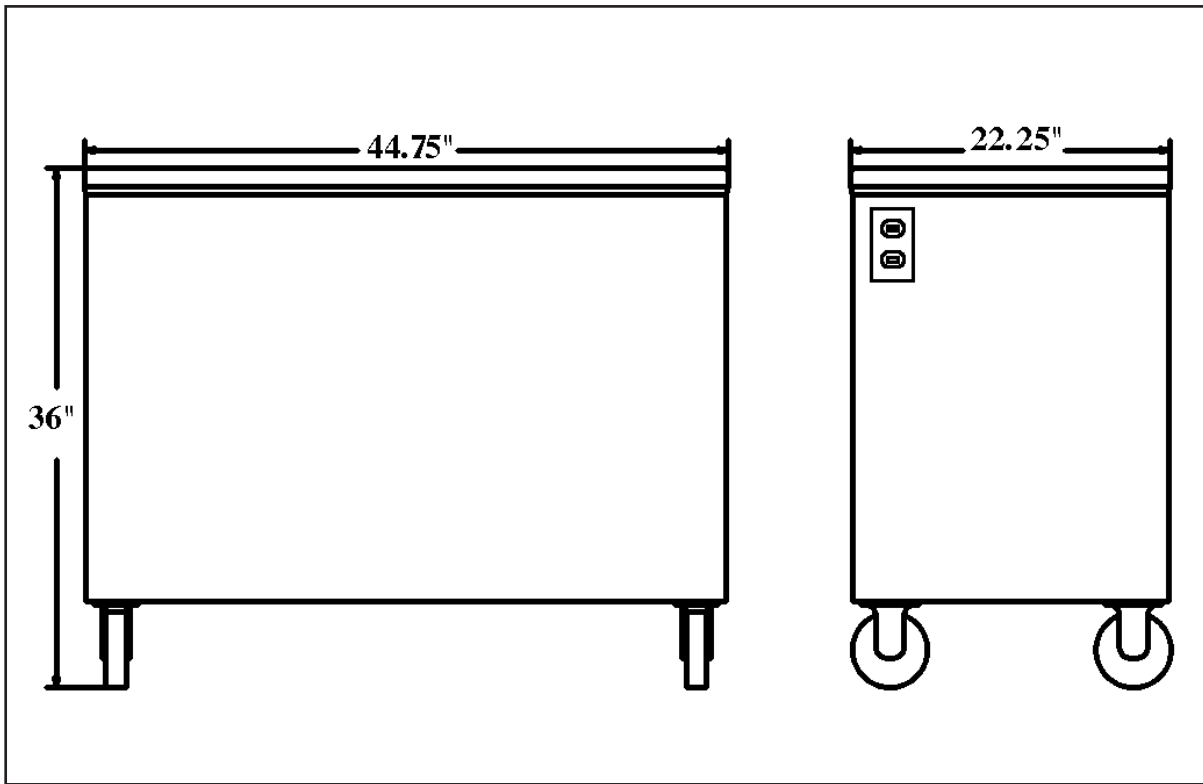




- Refrigerated condiment rail holds chilled fruit, candies or serving items.
- Dual temperature control allows for two different products to be held in the same cabinet. (DC4T only)
- Container storage compartments hold four 4.25 gallon (16 liter) square buckets, ideal for scooping.
- Custom designed for use with Ross frozen custard machines.
- Heavy duty swivel casters allow the cabinet to be portable.
- Easy installation.
- Removable cabinet covers allow easy access to the product.
- Individually refrigerated compartment ensures consistent temperature all day long
- Optional plastic lids.





|                     | <b>DC4/DC4T</b>                             |                    |
|---------------------|---|--------------------|
| <b>Dimensions</b>   | <b>Cabinet</b>                              | <b>with crate</b>  |
| width               | 44-3/4" (113,7 cm)                          | 60" (152,4 cm)     |
| height              | 36" (91,4 cm)                               | 44" (111,8 cm)     |
| depth               | 22-1/4" (56,5 cm)                           | 35-3/4" (90,8 cm)  |
| <b>Weight</b>       | 218 lbs (98,8 kg)                           | 383 lbs (173,7 kg) |
| <b>Electrical</b>   | <b>1 Phase, 115 VAC, 60Hz</b>               |                    |
| running amps        | approximately 7.8A                          |                    |
| connection type     | NEMA5-15P power cord provided               |                    |
| <b>Compressor</b>   | 1,340 Btu/hr                                |                    |
| <b>Dipping Well</b> | Four - 4.25 gallon square buckets with lids |                    |

*Continuous research leads to ongoing product improvements; therefore, these specifications are subject to change without notice.*

Dual Temperature Control on the DC4T



Distributed by:



**STOELTING®**  
FOODSERVICE EQUIPMENT

502 Highway 67 Kiel, WI 53042-1600

920-894-2293 800-558-5807

Fax: 920-894-7029

E-mail: [foodservice@stoelting.com](mailto:foodservice@stoelting.com)

[www.stoeltingfoodservice.com](http://www.stoeltingfoodservice.com)

ISO 9001:2000 Registered