



Project:

Item Number:

Quantity:

E131-I2, F131-I2 GRAVITY FED TWIN TWIST COUNTERTOP MACHINES



DESCRIPTION

Twin twist, counter-top, gravity soft serve/yogurt freezer. Triple-duty freezer allows you to serve two individual flavors or combine them for a twist, produces quality product consistency from first cone to last. IntelliTec2™ control for worry-free operation.

F131 features a larger compressor for increased production capacity.

INTELLITEC2™ CONTROL FEATURES

- Programmable and configurable through multi-line graphics display.
- Upload firmware and download statistics through a USB connection.
- Performance and error logs provide data to maximize profitability.
- Senses product consistency or temperature to customize for a wide variety of mixes.
- Standby and sleep modes conserve energy and automatically defrost product, maintaining small ice crystals and delivering a superior mouthfeel.



Every machine includes Stoelting's White Glove Service. One call does it all – customer service, technical service, parts or warranty information, installation, startup, sales, on-site service dispatch and much more. Available 24 hours a day, seven days a week year-round.

ITEMS

Single Phase	Three Phase
Air-Cooled	
E131-38I2	E131-309I2
E131-38I2-WF	E131-309I2YG2
E131-38I2YG2	F131-309I2
F131-38I2	F131-309I2-WF
F131-38I2-WF	
F131-38I2-YG2	
Water-Cooled	
E131-18I2	E131-109I2
E131-18I2YG2	E131-109I2YG2
F131-18I2	F131-109I2
F131-18I2-WF	

ACCESSORIES & OPTIONS

- 2204542** Hopper Lock Kit
- 4177350** FS2 - Floor Stand 22" x 24" x 31"
- 4183513** FSS2 - Floor Stand 22" x 24" x 26"
- 2202408** FS4 - Floor Stand 24-1/4" x 22-1/4" x 18-3/4"

FEATURES

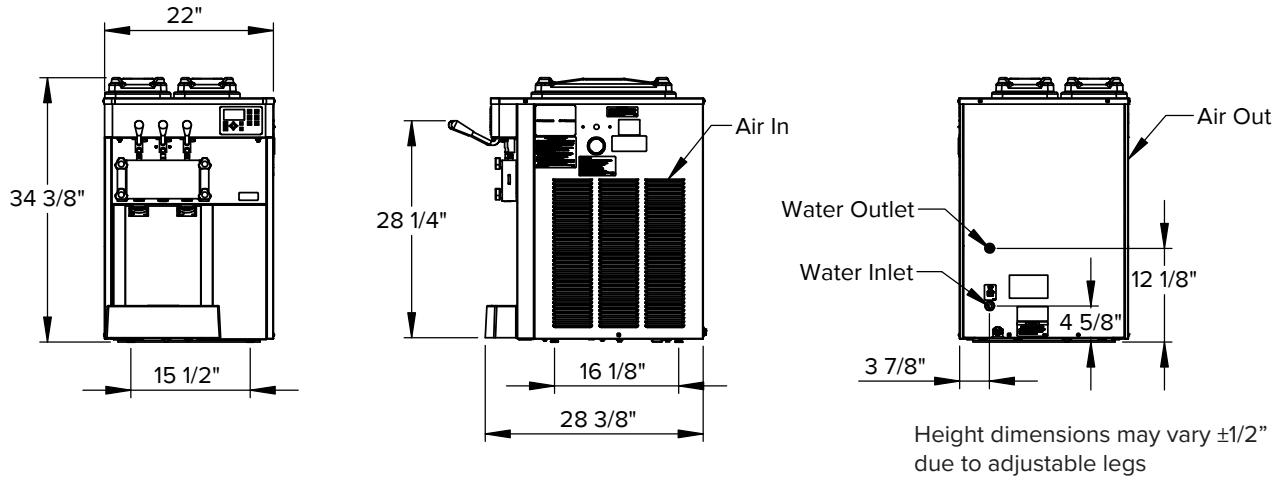
- NSF approved food grade plastic blades provide quiet operation and superior durability.
- Simplified design for quick assembly after cleaning.
- Adjust the dispense rate to meet your requirements.
- Clear door displays circulating product for merchandising appeal.
- Highly efficient auger design gently folds the entire contents of the freezing cylinder, delivering a thick, smooth, and creamy product.
- Efficient freezing cylinder and auger design delivers a consistent uniform product with small ice crystals and a quick recovery time.
- Self-closing spigot eliminates waste and ensures precise portion control.
- Compact counter-top design saves valuable counter space.
- Long-wearing parts offer lower preventative maintenance costs.

Continuous research leads to ongoing product improvements; therefore, these specifications are subject to change without notice and should not be used as installation specifications.

Approvals	Date

E131-I2, F131-I2 GRAVITY FED TWIN TWIST COUNTERTOP MACHINES

DIMENSIONS



GENERAL SPECIFICATIONS

Model	Freezing Cylinder			Hopper Capacity gallon (L)	Drive Motor (hp)	Weight lb (kg)	Crated Weight lb (kg)
	Capacity gallon (L)	Btu/hr	Compressor Refrigerant Charge (oz)				
E131-I2	Two 0.65 (2.5)	8,000	R-448A A/C: 28 W/C: 22	Two 3 (11.4)	Two 3/4	370 (167.8)	450 (204.1)
F131-I2	Two 0.85 (3.2)	12,000	R-448A A/C: 42 W/C: 32	Two 3 (11.4)	Two 3/4	385 (174.6)	450 (204.1)

- Indoor use only.
- Maximum ambient temperature: 100°F (37.8°C).
- Requires a dedicated electrical circuit.
- Air cooled units require: 3" (7.6 cm) air space on both sides.
- Water cooled units require: 3/8" N.P.T. water and drain fittings. Maximum water pressure of 130 psi. Minimum water flow rate of 3 GPM. Ideal EWT of 50°-70°F.
- Details on CAD Revit Symbols Libraries are available on stoelting.klccad.com

ITEM NUMBER SPECIFICATIONS

Model Number	Cooling	Phase	Volts	Hz	Running Amps	Cord with Plug (Included)	Yogurt Configuration	WiFi Module
E131-109I2	Water	3	208-240	60	10	NEMA L15-20P	—	—
E131-18I2	Water	1	208-240	60	12	NEMA 6-20P	—	—
E131-309I2	Air	3	208-240	60	10	NEMA L15-20P	—	—
E131-309I2YG2							✓	—
E131-38I2	Air	1	208-240	60	12	NEMA 6-20P	—	—
E131-38I2-WF							—	✓
E131-38I2YG2							✓	—
F131-109I2	Water	3	208-240	60	10	NEMA L15-20P	—	—
F131-109I2-YG2							✓	—
F131-18I2	Water	1	208-240	60	11	NEMA 6-20P	—	—
F131-18I2-WF							—	✓
F131-18I2-YG2							✓	—
F131-309I2	Air	3	208-240	60	10	NEMA L15-20P	—	—
F131-309I2-WF							—	✓
F131-38I2	Air	1	208-240	60	12	NEMA 6-20P	—	—
F131-38I2-WF							—	✓
F131-38I2-YG2							✓	—



Service Information
 800-319-9549 (U.S. Toll Free)
 920-894-2293 (Outside the U.S.)
www.stoeltingfoodservice.com
www.vollrath.com