

Gravity Freezer Floor Stands

FS1 | FS2 | FSS2
FS3 | FS4



- Functional and convenient solution for applications where counter space is not available.
- Quickly and easily change counter-top soft serve freezers into floor models.
- Self-contained units offer a range of 5-7 cubic feet of internal space for dry storage.
- Easily bolts to freezer base for safety and convenience.
- FS1 comes standard with legs; FS2, FSS2, FS3 and FS4 come standard with casters.
- Hinged door lifts off for easy cleaning, plus adjustable door knob for the perfect tension setting.
- Heavy duty steel frame with high quality stainless steel exterior for easy cleaning and long life.
- Available for models CF101, VB9, O111, E/F112, E/F111, E/F122, E/F131, F/SF144.



FS1



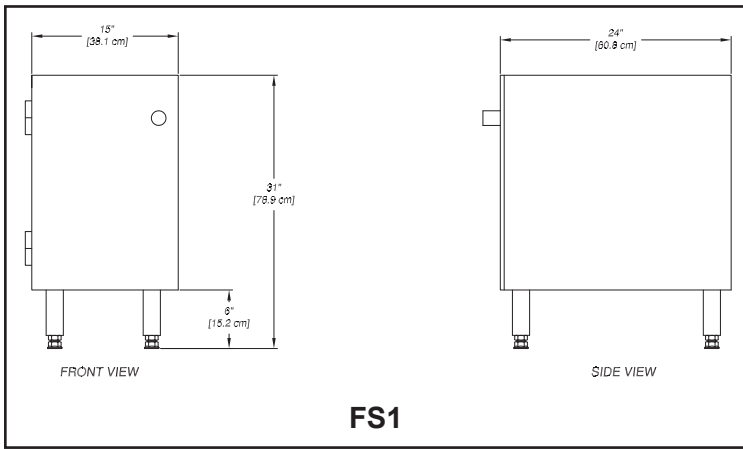
FS3



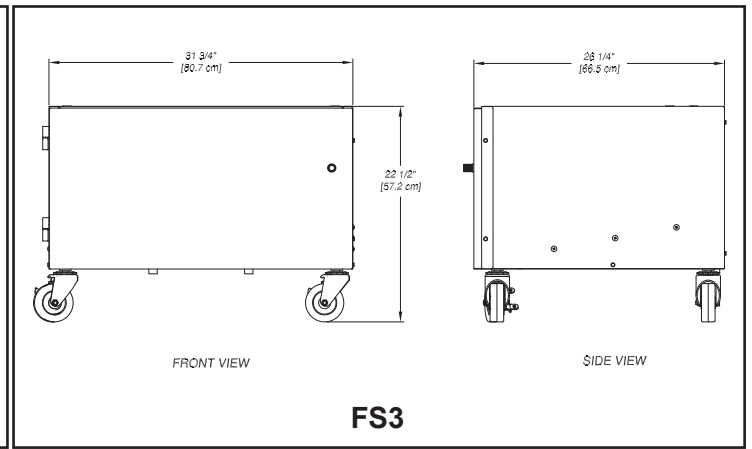
FS4



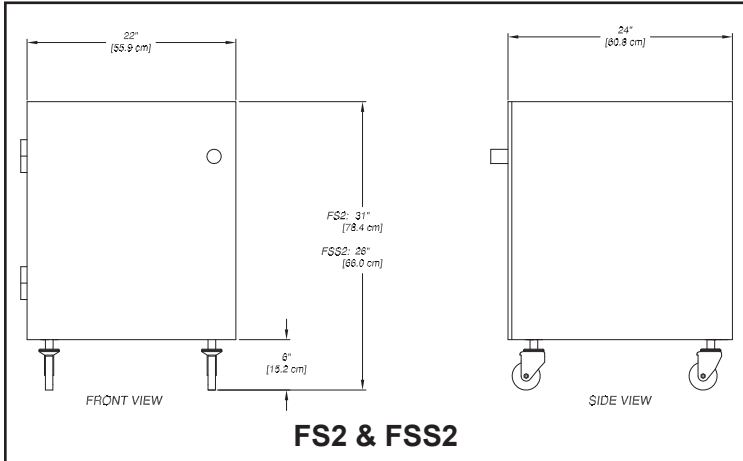
**Machines above depicted for concept only*



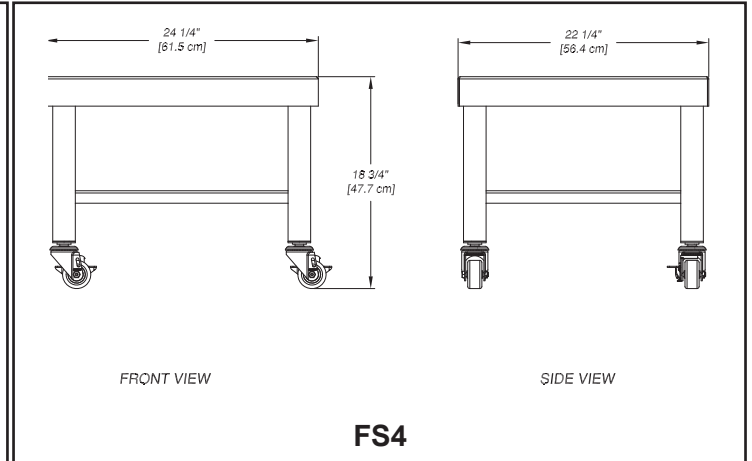
FS1



FS3



FS2 & FSS2



FS4

	FS1 (4158310)		FS2 (4177350)		FSS2 (4183513)	
Dimensions	Cabinet	with crate	Cabinet	with crate	Cabinet	with crate
width	15" (38,1 cm)	28" (71,0 cm)	22" (55,8 cm)	28" (71,0 cm)	22" (55,8 cm)	28" (71,0 cm)
height	31" (78,7 cm)	38" (96,5 cm)	31" (78,7 cm)	38" (96,5 cm)	26" (66,0 cm)	38" (96,5 cm)
depth	24" (60,1 cm)	35" (88,9 cm)	24" (60,1 cm)	35" (88,9 cm)	24" (60,1 cm)	35" (88,9 cm)
Weight	100 lbs (45,3 kg)	139 lbs (63,0 kg)	145 lbs (65,7 kg)	175 lbs (79,4 kg)	125 lbs (56,7 kg)	175 lbs (79,4 kg)

	FS3 (2203214)		FS4 (2202408)	
Dimensions	Cabinet	with crate	Cabinet	with crate
width	31-3/4" (80,5 cm)	38" (96,5 cm)	24-1/4" (61,6 cm)	28-3/4" (73,0 cm)
height	22-1/2" (57,2 cm)	28" (71,0 cm)	18-3/4" (47,6 cm)	28" (71,0 cm)
depth	26-1/4" (66,7 cm)	35" (88,9 cm)	22-1/4" (56,5 cm)	31-1/2" (80,0 cm)
Weight	125 lbs (56,7 kg)	175 lbs (79,4 kg)	61 lbs (27,6 kg)	175 lbs (79,4 kg)

Continuous research leads to ongoing product improvements; therefore, these specifications are subject to change without notice and should not be used as installation specifications.

Distributed by:

STOELTING
 A VOLLRATH® COMPANY
stoeltingfoodservice.com
 Stoelting Foodservice Equipment
 502 Highway 67 • Kiel, WI 53042-1600
 920-894-2293 • 800-558-5807
 Customer/Technical Service: 888-429-5920
 E-mail: foodservice@stoelting.com

Certified, Listed
 and/or Recognized by:



ISO 9001:2008 Registered
 STMF-138 5/14