

Project:

Item Number:

Quantity:

**CC202X, CC303X CONTINUOUS FLOW FROZEN CUSTARD FLOOR MACHINES**



CC202X

CC303X



### DESCRIPTION

Double and triple barrel continuous flow freezers produce frozen custard, sorbet, Italian ices and other frozen desserts. The patented freezing chamber minimizes the size of ice crystals for a smoother, creamier product. Match production to demand with the “hold product” mode refrigeration setting.



Every machine includes Stoelting’s White Glove Service. One call does it all – customer service, technical service, parts or warranty information, installation, startup, sales, on-site service dispatch and much more. Available 24 hours a day, seven days a week year-round.

### ITEMS

- CC202X-214A00SIR** Remote Air-Cooled, Three-Phase
- CC303X-114A00SIR** Water-Cooled, Three-Phase
- CC303X-214A00SIR** Remote Air-Cooled, Three-Phase

### ACCESSORIES & OPTIONS

#### Remote Condensing Units (one per barrel)

Refrigeration lines are not included and must be routed on location.

- 285108** Remote Condensing Unit, 3 Phase

#### Dipping Cabinets

- DC4T-37-A** Four Compartment with Refrigerated Condiment Rail and Dual Temperature Control
- DC4T-37R-A** Four Compartment with Refrigerated Condiment Rail, Dual Temperature Control, and Reversed Hinges
- MDC4-37-A** Four Compartment
- MDC3-37-A** Three Compartment
- MDC2-37-A** Two Compartment

### FEATURES

- Delrin® food-grade plastic blades provide quiet operation and superior durability.
- Standard, divided and separated dipper well helps prevent cross contamination between flavors for food allergy concerns.
- Service panel provides easy access to temperature controls.
- Each barrel has a separate refrigeration system and controls to run independently.
- Product stored at safe temperature in hopper for off-cycle periods and kept ready to freeze on-demand.

#### IntelliTec™ Control

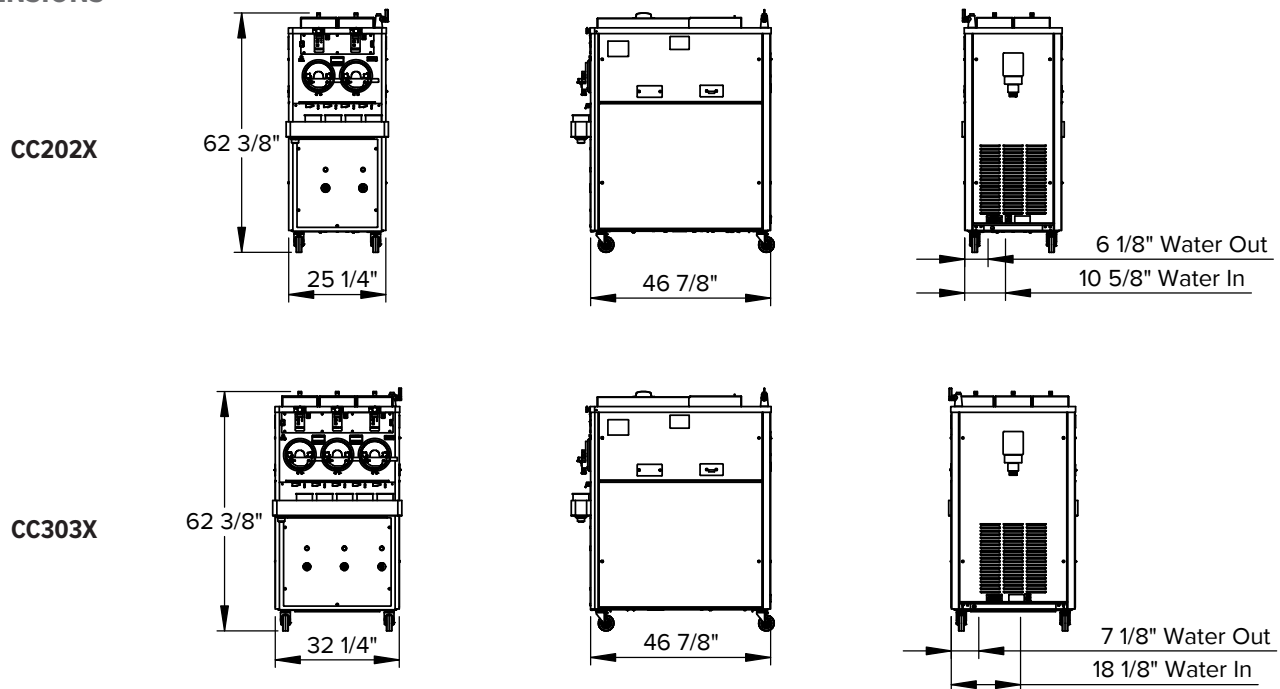
- Lighted display communicates with operator for worry-free operation.
- Simple two-button operation for simple operation and cleaning.
- Constant monitoring for ease of troubleshooting.
- Precision-controlled refrigeration system.
- Tamper-proof controls for self-serve applications.

*Continuous research leads to ongoing product improvements; therefore, these specifications are subject to change without notice and should not be used as installation specifications.*

Approvals	Date

## CC202X, CC303X CONTINUOUS FLOW FROZEN CUSTARD FLOOR MACHINES

### DIMENSIONS



### GENERAL SPECIFICATIONS

Model	Freezing Cylinder				Hopper				Drive Motor (hp)	Weight lb (kg)	Crated Weight lb (kg)
	Capacity gallon (L)	Compressor			Capacity gallon (L)	Compressor					
		Btu/hr	Refrigerant	Charge		Btu/hr	Refrigerant	Charge (oz)			
CC202X	Two 1.4 (5.3)	Two 9,000	R-448A	128 oz	Two 8.8 (33.3)	2,700	R-134a	18 oz	Three (3)	1030 (467.2)	1100 (498.9)
CC303X	Three 1.4 (5.3)	Three 9,000			Three 8.8 (33.3)			19 oz	Three (3)	1095 (496.7)	1165 (528.4)

- Indoor use only.
- Maximum ambient temperature: 100°F (37.8°C).
- Requires one dedicated electrical circuit per barrel and an additional circuit for the hopper refrigeration system.
- Water cooled units require: Units are self contained and require 1/2" N.P.T. water and drain fittings. Maximum water pressure of 130 psi. Minimum water flow rate of 3 GPM per barrel. Ideal EWT of 50°-70°F. They are charged with R-448A.
- Remote air cooled units require: One remote condensing unit (with compressor) per barrel. The machines ship from the factory with a dry nitrogen holding charge. The condensing units ship from the factory with 20 lbs of R-448A for up to a 50' line set. Add 1 lb of refrigerant for every 10' increase to the line set. Line set max 100'.
- Details on CAD Revit Symbols Libraries are available on [www.stoelting.kclcad.com](http://www.stoelting.kclcad.com) website.

### ITEM NUMBER SPECIFICATIONS

Model Number	Cooling	Phase	Volts	Hz	Circuit Ampacity (per barrel)	Overcurrent Protection Device (per barrel)
CC202X-214A00SIR	Air Remote	3	380-415	50	19A minimum	30A maximum
CC303X-114A00SIR	Water	3	380-415	50	19A minimum	30A maximum
CC303X-214A00SIR	Air Remote	3	380-415	50	19A minimum	30A maximum



**Service Information**  
 800-319-9549 (U.S. Toll Free)  
 920-894-2293 (Outside the U.S.)  
[www.stoeltingfoodservice.com](http://www.stoeltingfoodservice.com)  
[www.vollrath.com](http://www.vollrath.com)