



# BRIO

models 6 - 7 - 9  
4+4 - 6+6 - 7+7

## Use and Maintenance manual



**Dear Customer,**

First of all, we would like to thank you for choosing our products. Please read this manual thoroughly before you proceed with installation. It contains all the information required for correct installation, startup, use, cleaning, maintenance, etc.

The manual also includes a form concerning:

**Correct installation.**

These forms must be filled out and signed after the display case has been installed and tested. One form must always stay with the manual, while the other one must be sent to the manufacturer, together with the warranty.


Meticulously preserve this manual and keep it in a safe place. Do not put this manual away without reading it, regardless of your prior experience. Spending a few minutes reading the manual will help you save time and effort.

|           |  |                   |
|-----------|--|-------------------|
| -         | <i>PRESENTATION</i>                                    | Page 1            |
| -         | <i>SUMMARY</i>   | Page 2            |
| <b>1</b>  | <b>GUIDE TO THE MANUAL</b>                             | <b>Page 3</b>     |
| <b>2</b>  | <b>TECHNICAL DATA</b>                                  | <b>Page 4-7</b>   |
| <b>3</b>  | <b>DISPLAY CASE MARKING DATA</b>                       | <b>Page 7</b>     |
| 3.1       | Display case identification                            | Page 7            |
| 3.1.2     | Display case model and series                          | Page 7            |
| 3.1.3     | Manufacturer   | Page 7            |
| 3.1.4     | Display case nameplate                                 | Page 7            |
| 3.1.5     | Marking  | Page 7            |
| 3.1.6     | Nameplates of the main components                      | Page 7            |
| <b>4</b>  | <b>HOW TO USE AND PRESERVE THE INSTRUCTIONS MANUAL</b> | <b>Page 8</b>     |
| 4.1       | Intended user of the instructions manual               | Page 8            |
| 4.2       | Objectives of the information in the manual            | Page 8            |
| 4.3       | Limitations on the use of the manual                   | Page 8            |
| 4.4       | How to preserve the manual                             | Page 8            |
| <b>5</b>  | <b>HANDLING AND INSTALLING THE DISPLAY CASE</b>        | <b>Page 8-9</b>   |
| 5.1       | Receiving the display case                             | Page 8            |
| 5.2       | Unloading operations                                   | Page 8            |
| 5.3       | Checking the supply                                    | Page 9            |
| 5.4       | Unpacking  | Page 9            |
| 5.5       | Personnel requirements                                 | Page 9            |
| 5.6       | Handling the display case                              | Page 9            |
| <b>6</b>  | <b>ENVISIONED USE</b>                                  | <b>Page 9-10</b>  |
| 6.1       | Objective of the ice cream display case                | Page 9            |
| 6.2       | Operator   | Page 9            |
| 6.3       | Use of the display case                                | Page 9            |
| 6.4       | Safety precautions                                     | Page 9            |
| 6.4.1     | Safety regulations during use                          | Page 9-10         |
| <b>7</b>  | <b>TECHNICAL DESCRIPTION OF THE DISPLAY CASE</b>       | <b>Page 10-11</b> |
| 7.1       | General information                                    | Page 10-11        |
| <b>8</b>  | <b>INSTALLATION</b>                                    | <b>Page 11-12</b> |
| 8.1       | General information                                    | Page 11           |
| 8.1.1     | Positioning  | Page 11-12        |
| 8.1.2     | Assembling glass structure                             | Page 12           |
| <b>9</b>  | <b>INSTRUCTIONS FOR USE</b>                            | <b>Page 12-13</b> |
| 9.1       | General information                                    | Page 12           |
| 9.1.1     | Initial startup of the display case                    | Page 12           |
| 9.2       | Positioning the tubs                                   | Page 12           |
| 9.3       | Using the switchboard                                  | Page 13           |
| <b>10</b> | <b>MAINTENANCE</b>                                     | <b>Page 13-15</b> |
| 10.1      | General information                                    | Page 13           |
| 10.2      | Classification of interventions                        | Page 13           |
| 10.3      | Requirements for maintenance personnel                 | Page 13           |
| 10.4      | Clothing   | Page 14           |
| 10.5      | Clean and dismounting the glass structure              | Page 14           |
| 10.6      | Cleaning the condenser                                 | Page 14           |
| 10.7      | Cleaning the plastic parts and painted parts           | Page 15           |
| 10.8      | Cleaning the display section                           | Page 15           |
| 10.9      | Replacing the lamp                                     | Page 15           |
| <b>11</b> | <b>TROUBLESHOOTING</b>                                 | <b>Page 15</b>    |
| <b>12</b> | <b>DISMANTLING</b>                                     | <b>Page 16</b>    |
| 12.1      | General information                                    | Page 16           |
| 12.1.1    | Dismantling for demolition                             | Page 16           |
| 12.1.2    | Dismantling for transfer                               | Page 16           |
| <b>13</b> | <b>ATTACHMENTS</b>                                     | <b>Page 17-22</b> |

This manual has been drawn up by the manufacturer and is an integral part of the machine supply. The information it contains is for non-qualified (inexpert) and qualified personnel.


This manual defines the purpose for which the machine was built and it contains all necessary information to ensure its proper installation and safe correct operation.

Other technical information that is not included in this manual is an integral part of the technical file prepared by **Ital Proget** and is available at its facilities.

 **Be sure to consult this manual before proceeding with installation, use and any other work on the machine.**

Constant observance of the regulations it contains will guarantee personnel and machine safety, low-cost operation and a longer operating life. In designing and manufacturing the machine, the necessary criteria and features were used in order to fulfill the essential safety requirements envisioned by Standards: Safety USA ANSI/UL 471, Safety Canada CSA 22.2 - 120, Sanitation USA NSF Std 7.

The careful analysis done by **Ital Proget** has made it possible to eliminate most risks. However, be sure to follow all the instructions given in this manual. Always refer to the manual before carrying out any operation. Safeguard this manual and make sure it is always available next to the machine or in the nearby vicinity.

 **Before conducting any type of operation, disconnect the machine from the electrical mains.**

The diagrams and drawings are furnished by way of example. In pursuance to its policy of constant development and updating, the manufacturer may make any changes without giving advance notice.

This manual must be kept for the entire life of the machine. If it is lost or destroyed, a copy can be requested from the manufacturer. Be sure to indicate the data listed on the nameplate (the price will be established by the manufacturer).

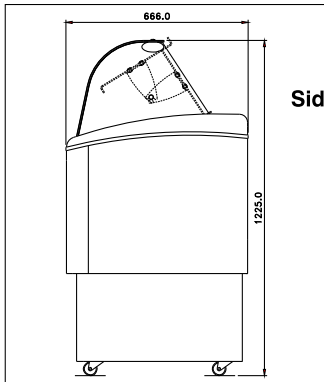
**Ital Proget** welcomes any comments from clients concerning improvements to be made on the machine and will assess their implementation.

This document is the exclusive property of **Ital Proget** and cannot be divulged to third parties, either in whole or in part, without the written authorization of **Ital Proget**.

**Ital Proget** reserves all legal rights.

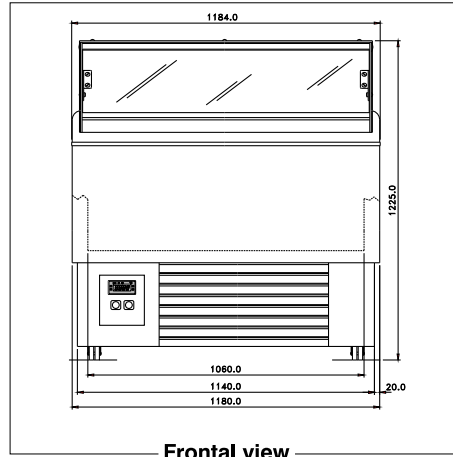
All the measurements listed in this manual are expressed in mm.

• Technical drawings

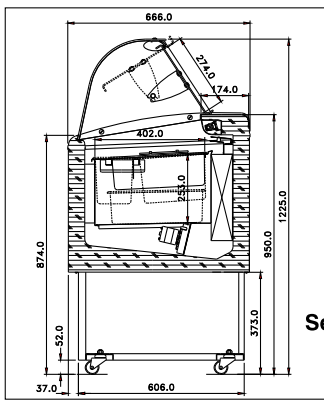


Side view

# BRIO 6

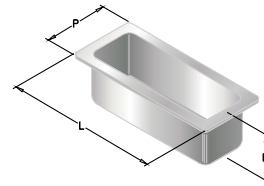


Frontal view



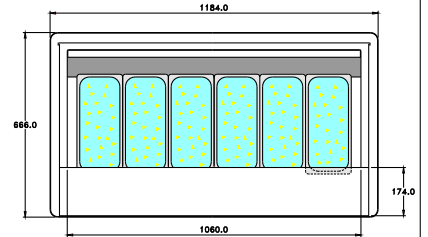
Section

• Tub arrangement



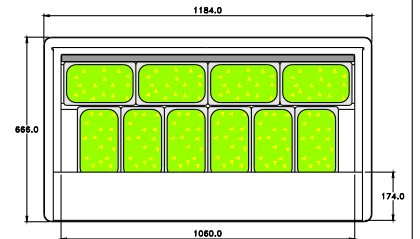
**5/7/8-lt tub**

- L= 360
- P= 165
- H<sup>1</sup>= 120
- H<sup>2</sup>= 150
- H<sup>3</sup>= 180

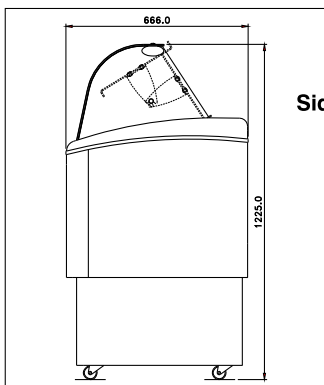


**4.75-lt tub**

- L= 260
- P= 157
- H= 170

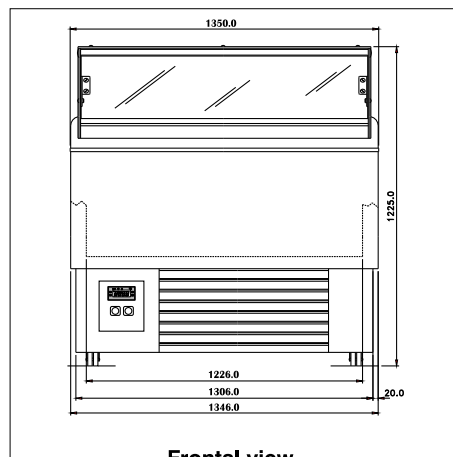


• Technical drawings

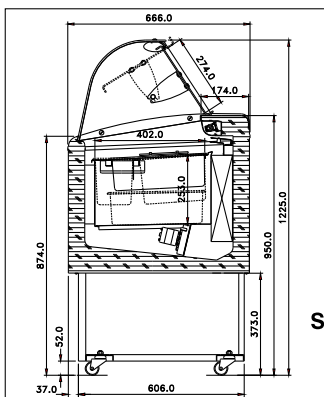


Side view

# BRIO 7

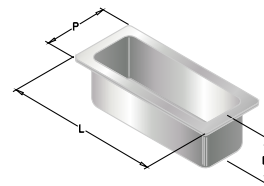


Frontal view



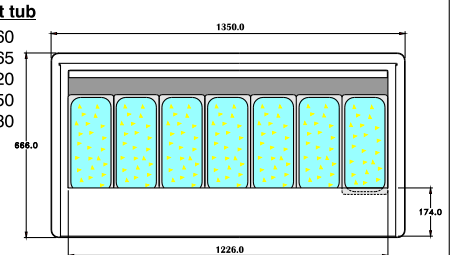
Section

• Tub arrangement



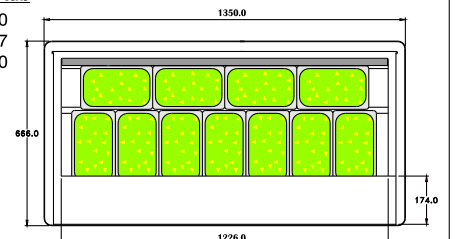
**5/7/8-lt tub**

- L= 360
- P= 165
- H<sup>1</sup>= 120
- H<sup>2</sup>= 150
- H<sup>3</sup>= 180

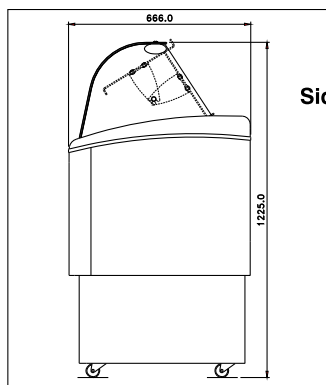


**4.75-lt tub**

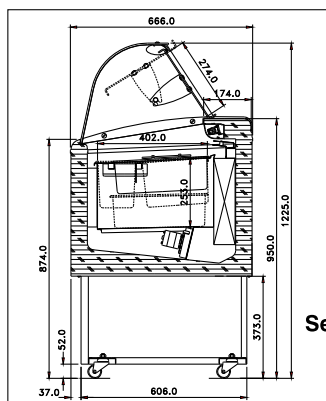
- L= 260
- P= 157
- H= 170



• Technical drawings

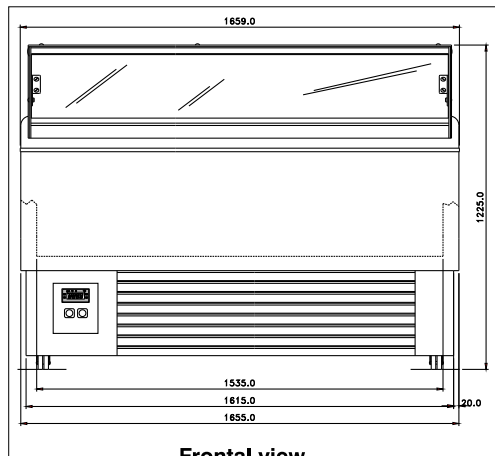


Side view



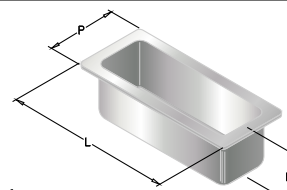
Section

# BRIO 9



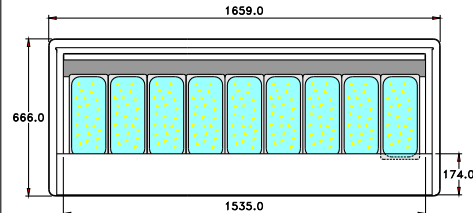
Frontal view

• Tub arrangement



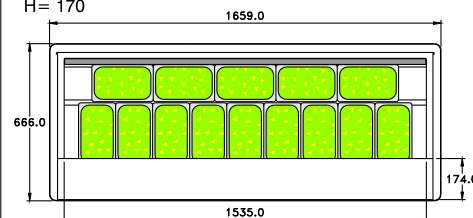
**5/7/8-lt tub**

L = 360  
P = 165 H<sup>1</sup> = 120 H<sup>2</sup> = 150 H<sup>3</sup> = 180

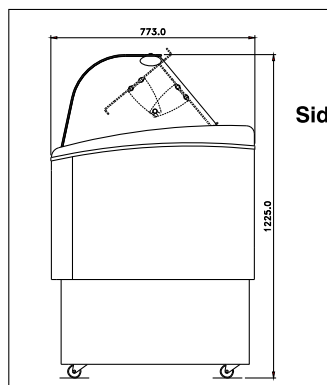


**4.75-lt tub**

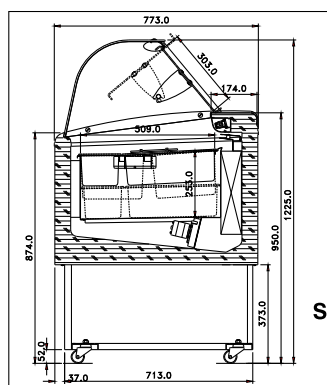
L = 260  
P = 157  
H = 170



• Technical drawings

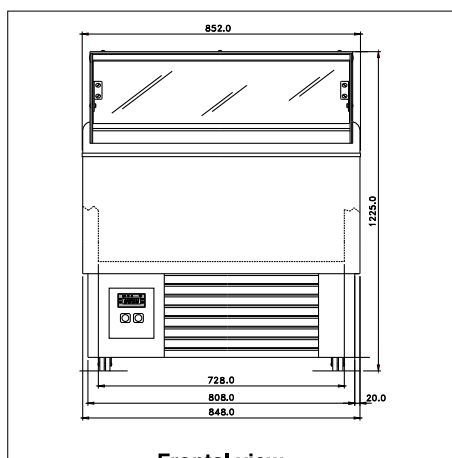


Side view



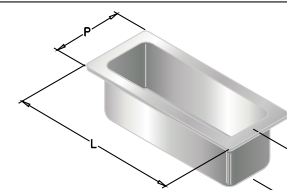
Section

# BRIO 4+4



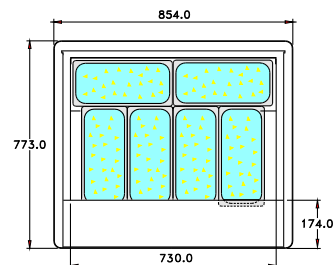
Frontal view

• Tub arrangement



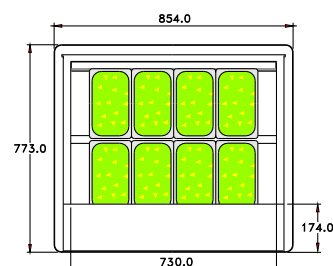
**5/7/8-lt tub**

L = 360  
P = 165  
H<sup>1</sup> = 120  
H<sup>2</sup> = 150  
H<sup>3</sup> = 180

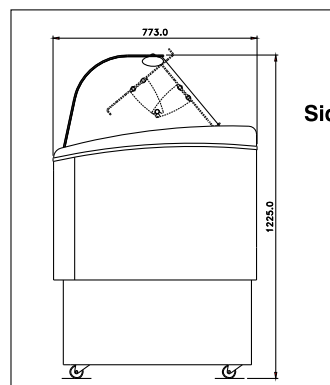


**4.75-lt tub**

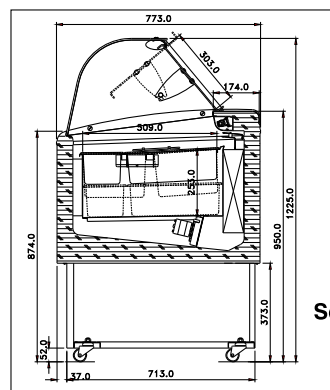
L = 260  
P = 157  
H = 170



• Technical drawings

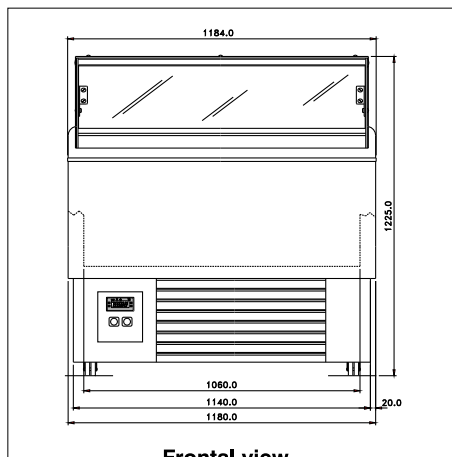


Side view



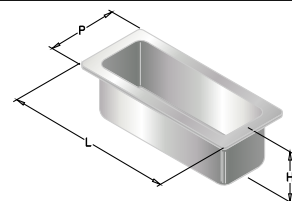
Section

# BRIO 6+6



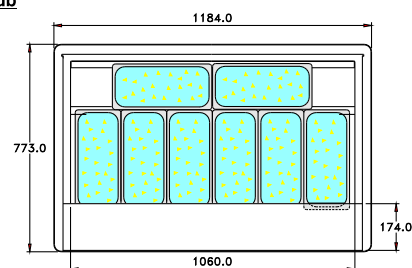
Frontal view

• Tub arrangement



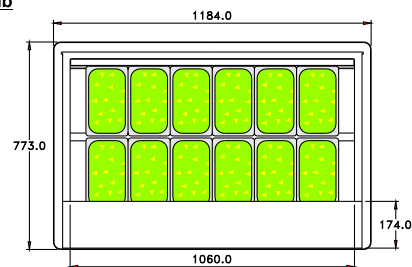
**5/7/8-lt tub**

L = 360  
P = 165  
H<sup>1</sup> = 120  
H<sup>2</sup> = 150  
H<sup>3</sup> = 180

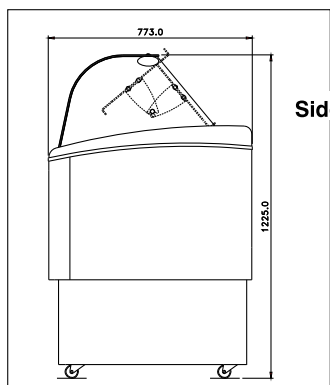


**4.75-lt tub**

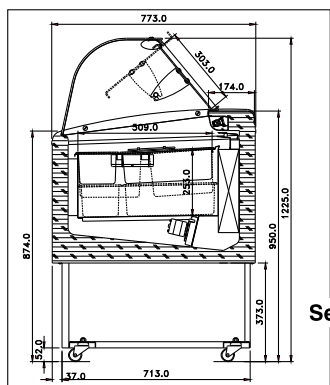
L = 260  
P = 157  
H = 170



• Technical drawings

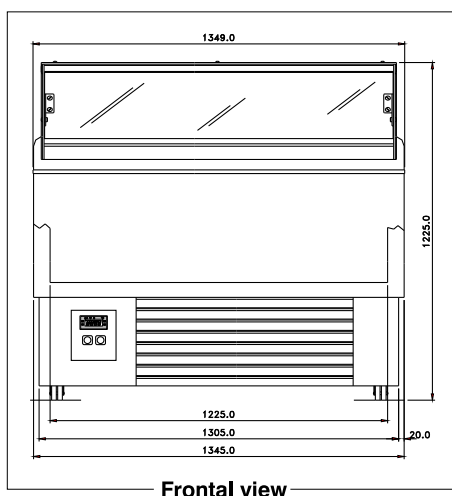


Side view



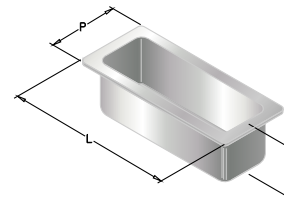
Section

# BRIO 7+7



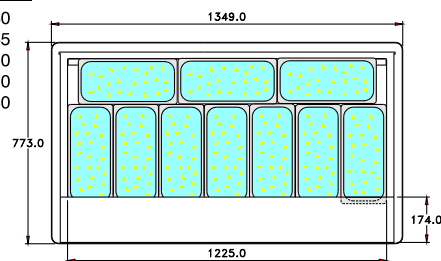
Frontal view

• Tub arrangement



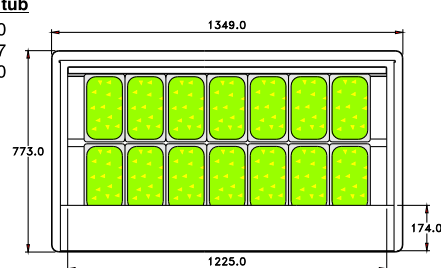
**5/7/8-lt tub**

L = 360  
P = 165  
H<sup>1</sup> = 120  
H<sup>2</sup> = 150  
H<sup>3</sup> = 180



**4.75-lt tub**

L = 260  
P = 157  
H = 170



| Technical features                | 6             | 7             | 9             | 4+4          | 6+6           | 7+7           |
|-----------------------------------|---------------|---------------|---------------|--------------|---------------|---------------|
| Dimensions (LxPxH mm)             | 1184x666x1225 | 1350x666x1225 | 1659x666x1225 | 852x773x1225 | 1184x773x1225 | 1350x773x1225 |
| Display surface (m <sup>2</sup> ) | 0.42          | 0.49          | 0.62          | 0.37         | 0.53          | 0.62          |
| Loading capacity (litres)         | 106           | 122           | 153           | 93           | 133           | 153           |
| Weight (lb)                       | 225           | 247           | 280           | 200          | 254           | 291           |
| Function test<br>+25°C - 60%RH    | -16° / -18°   | -16° / -18°   | -16° / -18°   | -16° / -18°  | -16° / -18°   | -16° / -18°   |
| Climatic class N°(°C/%U.R.)       | 4 (+30/55)    | 4 (+30/55)    | 4 (+30/55)    | 4 (+30/55)   | 4 (+30/55)    | 4 (+30/55)    |
| Refrigeration (s/v)               | Ventilated    | Ventilated    | Ventilated    | Ventilated   | Ventilated    | Ventilated    |
| Coolant Gas (G)                   | R404A         | R404A         | R404A         | R404A        | R404A         | R404A         |
| Q.ty of coolant gas (lb)          | 1.21          | 1.32          | 1.54          | 1.05         | 1.21          | 1.32          |
| Power supply (V/Hz)               | 115/60        | 115/60        | 115/60        | 115/60       | 115/60        | 115/60        |
| Rated capacity (W)                | 690           | 700           | 708           | 680          | 690           | 700           |
| Defrosting power (W)              | 1090          | 1100          | 1150          | 997          | 1090          | 1100          |
| Lighting power (W)                | 30            | 30            | 36            | 20           | 30            | 30            |

## 3 DISPLAY CASE MARKING DATA

### 3.1 - DISPLAY CASE IDENTIFICATION

Before the display case is packaged, a nameplate is mounted on it, identifying each case that is manufactured by its model and series.

Check to be sure that the instructions manual corresponds to the display case to which it is referring.

If any information or technical assistance is required, in addition to the model and machine type, you must also indicate its serial number.

### 3.1.2 - DISPLAY CASE MODEL AND SERIES

Professional ice-cream display case, **BRIO** series, models 6 / 7 / 9 / 4+4 / 6+6 / 7+7.

### 3.1.3 - MANUFACTURER

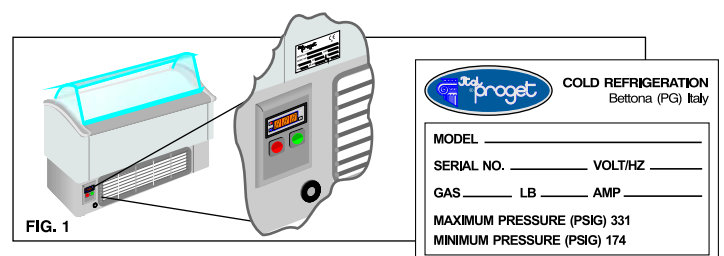


Via Ponte di Ferro, 85  
I - 06084 BETTONA (PERUGIA)  
Tel. +39 075 9869071 - 987038  
Fax +39 075 987016

Partita iva - 02814780546

### 3.1.4 - DISPLAY CASE NAMEPLATE

The display case nameplate is located on the rear part (operator side) -Fig. 1. The nameplate lists the information that identifies the machine, including its serial number and the year it was manufactured.



### 3.1.5 - MARKING

The mark is applied directly to the nameplate on the display case.

### 3.1.6 - NAMEPLATE OF THE MAIN COMPONENTS

The nameplates of all the components that were not manufactured directly by ITAL PROGET (e.g. compressors, fans, etc.) are mounted on the components themselves in the position in which they were original placed by the respective manufacturers.



This chapter offers some indications on using the instruction manual and on its use limitation.

## 4.1 - INTENDED USER OF THE INSTRUCTIONS MANUAL

This instructions manual is intended for the following personnel:

- shipping, loading and unloading staff
- operators
- installers
- maintenance personnel.

## 4.2 - OBJECTIVES OF THE INFORMATION IN THE MANUAL

The purpose of this manual is to indicate how the machine should be used based on its design. It will also indicate its technical features, offering instructions on how to move, install regulate and use it. It will also guide you in maintenance work and facilitate spare parts orders.

## 4.3 - LIMITATIONS ON THE USE OF THE MANUAL

It is important to remember that the instructions manual reflects the techniques current at the time the machine was purchased. Thus, the manufacturer has the right to update the manual and the equipment without updating the manual or any prior production, with the exception of unusual cases.

## 4.4 - HOW TO PRESERVE THE MANUAL

We would like to remind the user that the manual must be preserved with care to ensure it will last as long as the machine. Therefore, it is supplied in a special case that can protect it from wear and tear over the years. In addition, two copies of the section concerning "display case handling" are furnished so that the shipper and the personnel responsible for unloading the machine can consult this section without referring to the main text.

If the manual gets lost or destroyed, a copy can be requested through the firm's area representative or directly from the manufacturer. Be sure to specify the type, serial number and year the display case was manufactured.

# 5 HANDLING AND INSTALLING THE DISPLAY CASE

This chapter offers the necessary instructions for correct completion of the loading/unloading, handling and installation operations of the display case.

## 5.1 - RECEIVING THE DISPLAY CASE

The display case has packaging around it to protect it during shipment and/or storage, comprised of:

- a wooden pallet
- cardboard case

Figure 3 shows the standard packing.

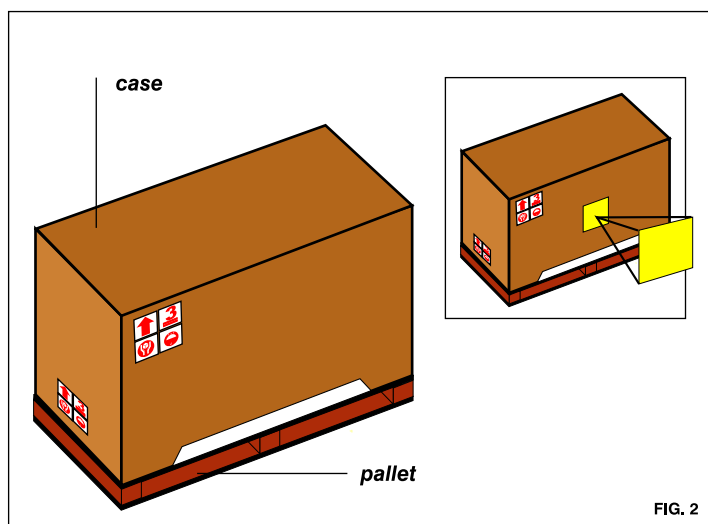


FIG. 2

There is a table (Fig. 3) on the packing and its purpose is to give detailed product information.

- Weights: net - gross - tare
- Dimensions: length - width - height
- Hoisting hook-up points.

### TECHNICAL HANDLING DATA

| WEIGHT   |        |        |       |
|----------|--------|--------|-------|
| Model    | Net    | Gross  | Tare  |
| Brio 6   | 225 lb | 262 lb | 37 lb |
| Brio 7   | 247 lb | 295 lb | 48 lb |
| Brio 9   | 280 lb | 339 lb | 59 lb |
| Brio 4+4 | 200 lb | 225 lb | 25 lb |
| Brio 6+6 | 254 lb | 304 lb | 50 lb |
| Brio 7+7 | 291 lb | 344 lb | 53 lb |

**SIZE**

| Model    | L      | P     | H      |
|----------|--------|-------|--------|
| Brio 6   | 1260mm | 730mm | 1210mm |
| Brio 7   | 1430mm | 730mm | 1210mm |
| Brio 9   | 1735mm | 730mm | 1210mm |
| Brio 4+4 | 930mm  | 840mm | 1210mm |
| Brio 6+6 | 1260mm | 840mm | 1210mm |
| Brio 7+7 | 1425mm | 840mm | 1210mm |

**HOIST WITH FORK LIFT**

**STORAGE**

Temporary or extended storage must be done in indoor areas protected from atmospheric agents. The display cases must be handled with care.

FIG. 3

Proceed as follows for the unloading, transport and unpacking operations.

## 5.2 - UNLOADING OPERATIONS



The orientation of the packed display case must comply with the indications listed on the pictograms and the writing on the outside package.

Conduct the unloading operations using suitable hoisting equipment (the capacity must be adequate for the weight of the packed display case), hoisting it as shown in Fig. 4.

## 5.3 - CHECKING THE SUPPLY

Before taking delivery from the shipper, check the conditions of the packing. If it shows obvious damage on the outside, the display case could be damaged. In this case, unpack the display case in the shipper's presence. Any damage caused by incorrect handling and storage is not the manufacturer's responsibility.

### IN THIS CASE:

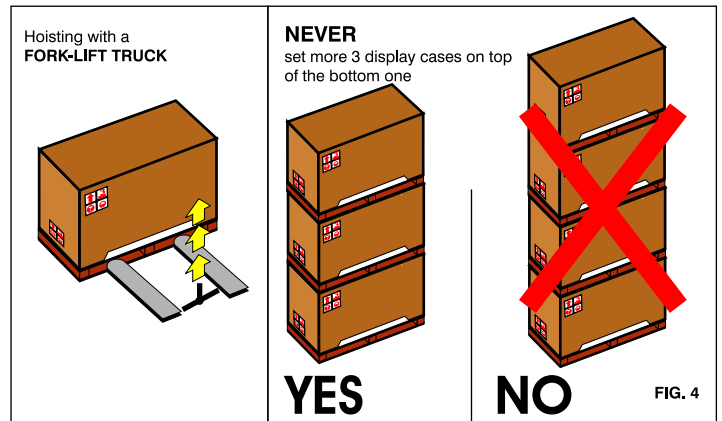
- A) Contact your area representative.
- B) Draw up a written report.
- C) Send a copy of the report to The manufacturer or area representative

## 5.4 - UNPACKING

**!** All the unpacked materials can be recycled in order to dispose of them according local legislation. Be sure to destroy plastic components to prevent any hazards (suffocation) to children.

## 5.5 - PERSONNEL REQUIREMENTS

We recommend that the operations to move the display case be handled by personnel accustomed to using hoisting equipment, in full compliance with the safety standards in force.



## 5.6 - HANDING THE DISPLAY CASE

The display case can be lifted with a fork-lift truck or with any other suitable means with a minimum capacity of twice the weight of the display case (see the specific nameplate). Operators running the hoisting equipment must remain at an adequate distance from the hoisted part and must ensure that no people or property are exposed to danger if the display case should drop. Movements must be slow and continuous to prevent the case from tipping over, etc.

**Damages caused by handling errors are not covered by the WARRANTY**

# 6 ENVISIONED USE

This chapter offers various general information on the purposes of the display case, describing its main functions and use limitations.

## 6.1 - OBJECTIVE OF THE ICE CREAM DISPLAY CASE

The **BRIO** line of ice cream display cases has been designed to maintain the temperature of the ice cream and not to lower it. Therefore, the ice cream can be put in the case only if it is already cooled and has thus reached its preservation temperature. A sunken display section holds the ice cream tubs. Located in the lower part of the window is a cooling system that generates cold "temperature-controlled" air and sends it into the display section via specific channels (Fig. 5).

Special attention has been paid to studying the safety systems for both the operator and the surrounding environment. Given their specific function, the display cases cannot be used for other purposes, nor can the manufacturer envision other use modes, in accordance with the indications of point 1.1.2, letter **C** of **89/392/CEE** regulations..

## 6.2 - OPERATOR

No other special technical knowledge is required to use the display cases. Attentive reading of this manual is sufficient. However, it is essential to remember that experience and knowledge of the product to be handled are a very important factor.

## 6.3 - USE OF THE DISPLAY CASE

The display cases from the BRIO line are intended for small-business and industrial use. The room or area in which the display case is to be installed must have the following characteristics:

- Indoors
- Minimum temperature of 16°C
- Maximum temperature of 30°C
- Relative humidity (RH), 55%
- Illumination: 100 lx (this value may change from one country to the next)
- No explosive gases

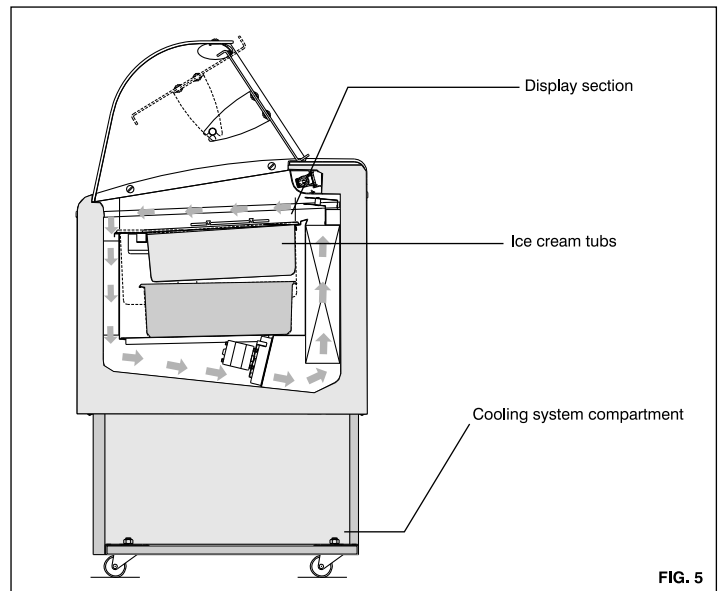


FIG. 5

## 6.4 - SAFETY PRECAUTIONS

### 6.4.1 - SAFETY REGULATIONS DURING USE

A prudent operator is the best operator.

Most accidents can be avoided by observing a few precautions.

To ensure accident prevention, you must read and observe the following precautions before installing the display case and turning it on.

The latter operation must be carried out exclusively by authorized personnel trained on how to use the display case.

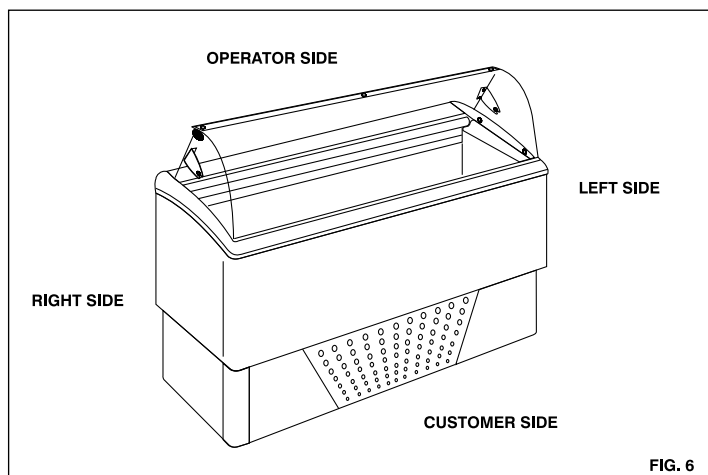


FIG. 6

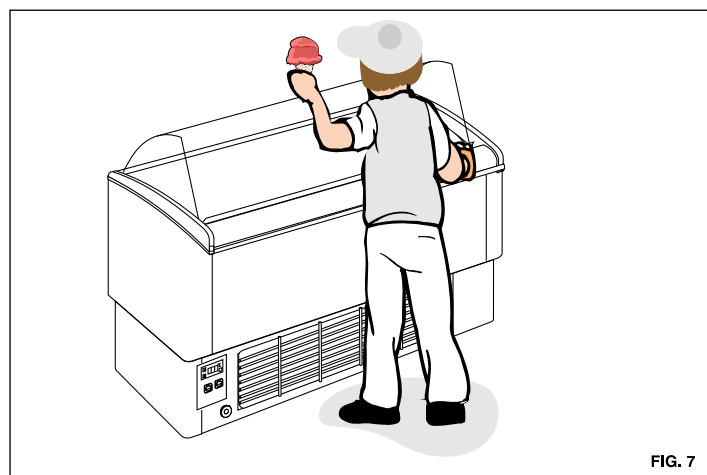


FIG. 7

• When this manual discusses switches and other components, it indicates if they are to the right or left of the display case.

In most situations, the terms “left” and “right” refer to the position of the operator standing in front of the work surface and facing forward (Figures 6 and 7), unless otherwise specified.

• Never allow anyone to use the display case without proper instruction. In many countries, it is legally mandatory for all operators to receive due instruction on the exact use and operating procedures of the display case and on safety methods prior to use.

## 7 TECHNICAL DESCRIPTION OF THE DISPLAY CASE

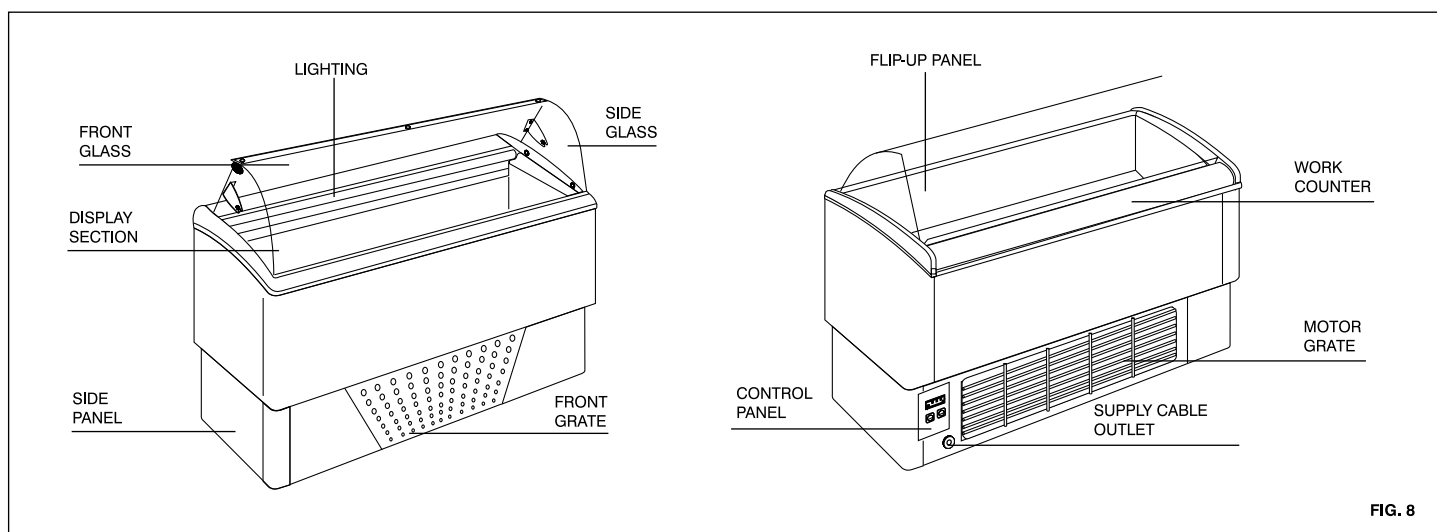


FIG. 8

### 7.1 GENERAL INFORMATION

This chapter offers a technical description of the display case and its operation. It supplies all the information deemed useful for the operator and maintenance personnel so they can gain a better understanding of correct operation to enable more rapid identification of any faults or malfunctions.

**DISPLAY SECTION** - The display section is the area in the display case that holds the tubs of ice cream. Its dimensions will vary based on the model, while all the features are the same. The display section is mounted with all the elements required to house the tubs.

Thanks to the careful design achieved by ITAL PROGET’s technical staff, the customer has an excellent view of the contents in the display section. Regardless of the type of display case, all the display sections are equipped with lighting to ensure excellent visibility of the contents by the customer, even at night or in particularly dark rooms.

**GLASS STRUCTURE** - The glass structure is composed of two glass side panels and a front window that makes it possible to:

- protect the contents of the display section from foreign matter
- create a system that, together with the other elements, can guarantee the technical characteristics of the display case.

The glass is made with a specific and carefully-designed geometric shape in order to ensure maximum safety for the operator and above all for the client. All the glass can be dismantled simply by removing the screws and the connection bar. We recommend performing these operations with the maximum care, observing the indications listed in the maintenance chapter. The glass structure is completed by the flip-up panel.

This is a mobile component to allow access to the internal part of the display section in order to reach the ice cream.

The flip-up panel is made of synthetic material that is anchored laterally to the two side windows, and it can be raised (to scoop ice cream) or lowered (rest phase) manually by the operator. Two ABS brackets connect it to the two side glass panels.

**WORK COUNTER** - The “operator side” work counter is a continuance of the display section and it is used by the operator as a counter while he is preparing the product to be served. It is made of plastic-coated sheet metal with a wooden core, and it is fastened to the display section with screws.

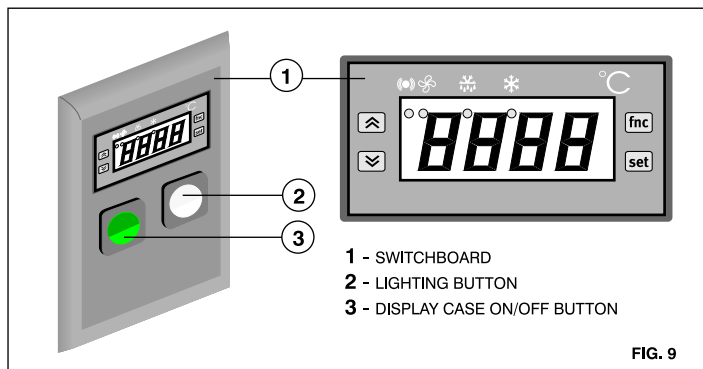
**MOTOR COMPARTMENT** - The motor compartment is located in the lower section of the display case and all the components required for machine operation are positioned together in a unit referred to as the condenser unit.

The main components of the condenser unit are:

- Compressor
- Condenser
- Fan
- Condensation evaporation tub
- Solenoid valve
- Filter

The motor compartment is protected by a casing and grid that are bolted on to ensure maximum safety. In particular, during normal operation no one is able to access it and come into contact with live or moving elements. Only qualified technicians are allowed to access it, observing safety and maintenance regulations.

**CONTROL PANEL** - The control panel is the element that manages the operation of the display case.



This management (temperature control and maintenance, defrosting) is entrusted to a command switchboard. In any event, the operator can utilize this component to change the temperature inside the display section. Two push-buttons located on the control panel make it possible to turn the display case on and off, respectively, and to turn the internal lighting on or off (Fig.9).

## 8 INSTALLATION

### 8.1 - GENERAL INFORMATION

This chapter offers all the technical information needed for installment operations, in accordance with the regulations in force. The installation and test of proper display case operation must be carried out by **qualified personnel in full respect of the regulations in force** and of the attached assembly instructions. In the event of installations that do not comply with the recommended installation, **Ital Proget** declines any responsibility for personal injuries and/or property damage.

#### 8.1.1 - POSITIONING

The position of the display case is a very important factor that can compromise proper machine operation. Correct positioning influences the life of the display case and its components. Above all, however, it affects system operating expenses.

We advise you to carefully follow the instructions below. Our Technical Servicing Office can give you any additional clarifications that may be needed.

**NEVER PERFORM ANY OPERATIONS THAT ARE NOT CLEAR**

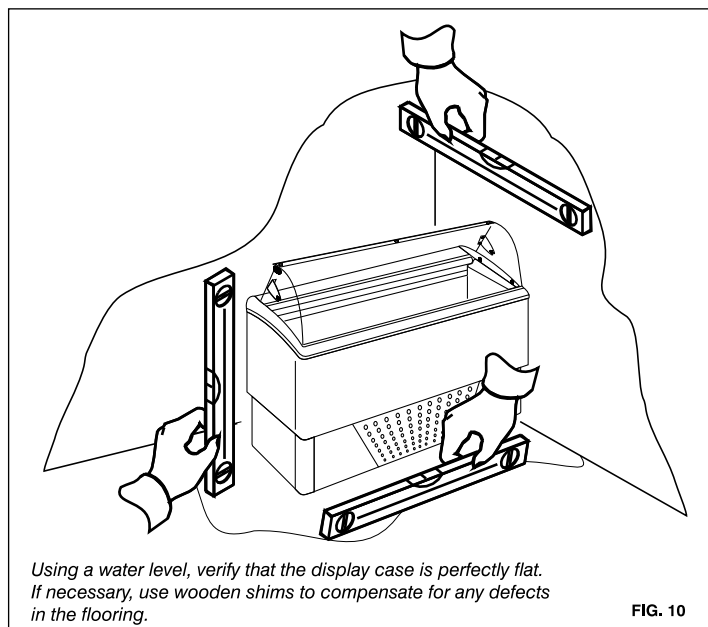
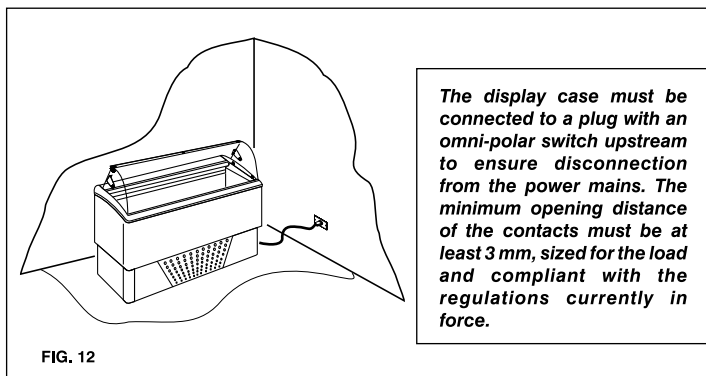


FIG. 10



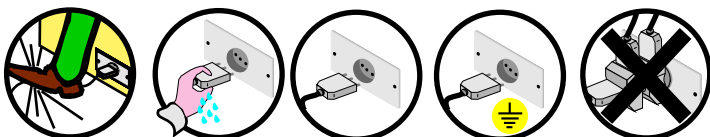
FIG. 11



- 1) Do not place the power cable in a transit area. We also recommend protecting the cable with trunking anchored to the floor.
- 2) NEVER touch the power plug if your hands are wet.
- 3) Verify that the power mains network is earthed in accordance with the regulations in force.

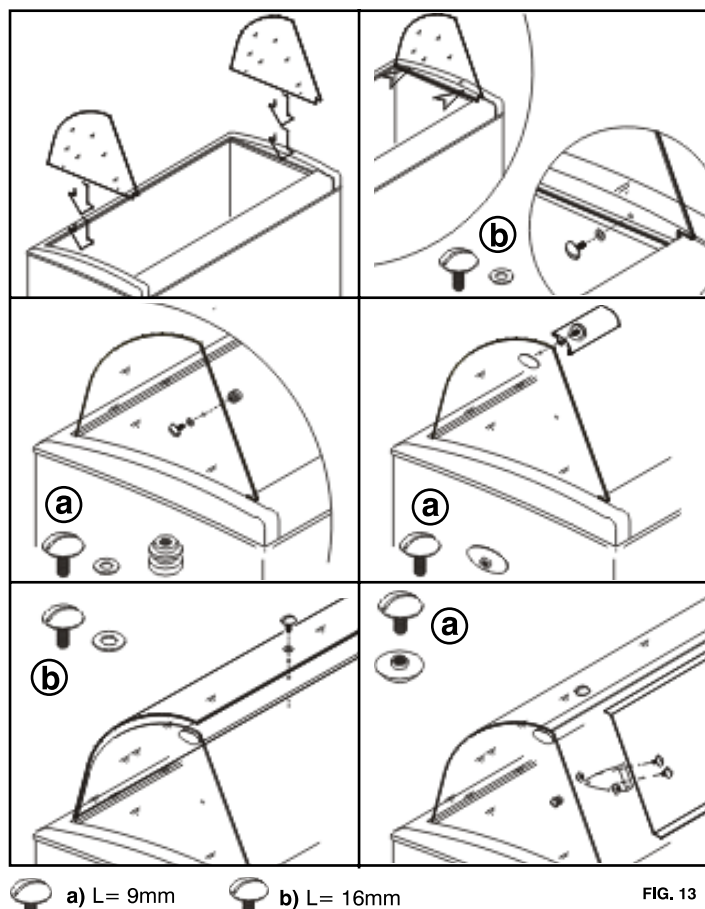
**NEVER insert any adapters or multiple plugs on the supply plug used to connect the display case. NEVER use extensions to connect the display case to the mains.**

**Verify that the mains voltage complies with the data listed on the nameplate of the machine (maximum allowable variation +/- 6%).**



**ITAL PROGET declines any responsibility for personal injuries or property damage caused by incorrect installation.**

## 8.1.2 - ASSEMBLING GLASS STRUCTURE



# 9 ISTRUCTIONS FOR USE

## 9.1 - GENERAL INFORMATION

This chapter offers instructions for correct use ice cream display case.

### 9.1.1 - INITIAL STARTUP OF THE DISPLAY CASE

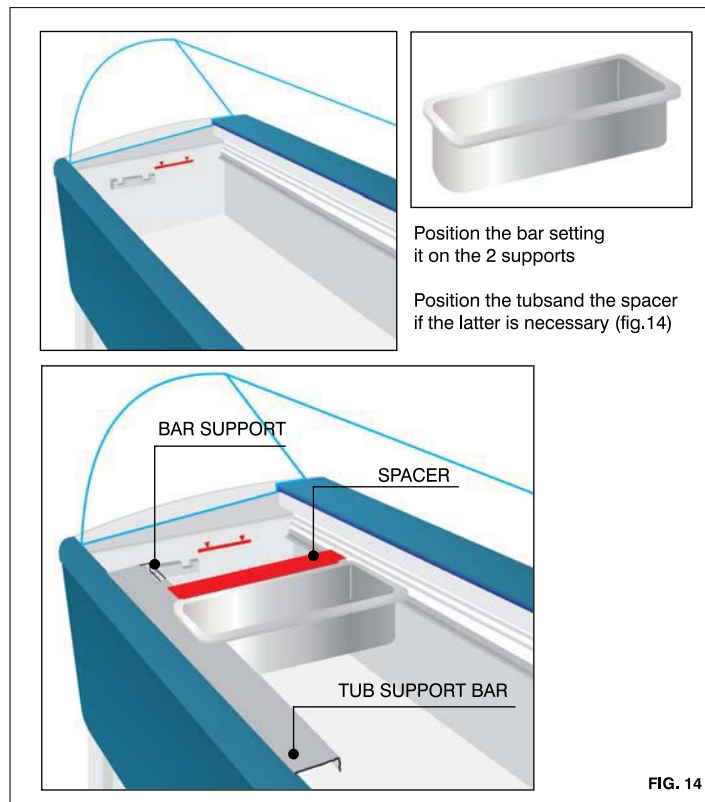
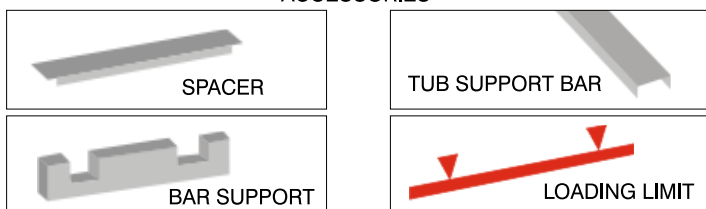
Before starting up the display case, make sure there are no remaining pieces of the packaging inside the display section and then clean the display case thoroughly.

### 9.2- POSITIONING THE TUBS

Placement of the tubs inside the display section is an easy operation that is also very important for the operation of the display case and proper ice cream conservation. There is a sticker inside the display section indicating the loading limit of the display case. This reference allows you to get maximum performance from the display case and optimum product conservation.

**IMPORTANT: NEVER** exceed the loading limits: this will damage both the product and the display case.

#### ACCESSORIES



## 9.3 - USING THE SWITCHBOARD

The control panel contains all the instruments that make it possible to manage the display case, as indicated in Fig. 15.

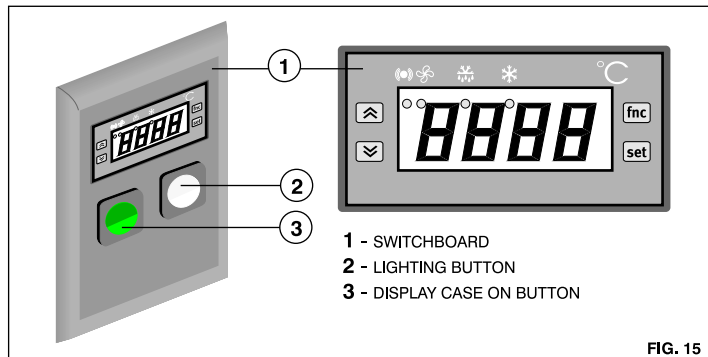


FIG. 15

The control switchboard is supplied with a standard setting established by the manufacturer. However, the operator can intervene on the switchboard to vary the temperature inside the display section and to perform additional defrosting.

### 1) SETTING OF THE EXERCISE TEMPERATURE:

- Press the **SET** button

### 2) SET DEFINITION

If there are no alarms the writing "SET" appears.

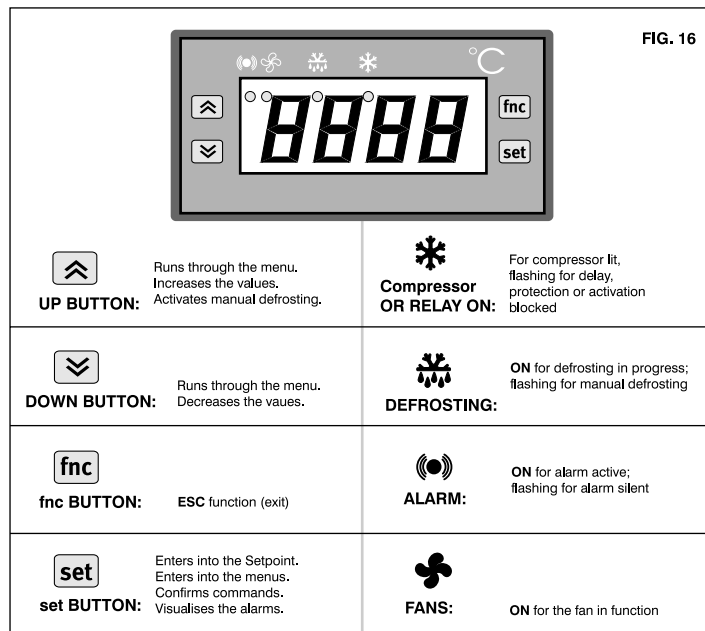
To visualise the value of the SETPOINT press the "SET" button again.

The value of the SETPOINT appears on the display.

To vary the value of the SETPOINT, operate within 15 seconds, on the "UP" and "DOWN" buttons.

### 3) MANUAL ACTIVATION FOR DEFROSTING

The manual activation of the defrosting cycle is obtained by pressing the "UP" button for 5 seconds. If there are not the correct conditions for defrosting, (for example the temperature of the evaporator probe is higher than the temperature at the end of defrosting), the display will flash 3 times, to signal that the operation will not be carried out.



# 10 MAINTENANCE

## 10.1 - GENERAL INFORMATION

This chapter offers all the technical information required to conduct regular and extraordinary maintenance in compliance with the regulations in force.

### BEFORE STARTING ANY MAINTENANCE WORK OR OPERATOR CHECKS, YOU MUST:

- Verify that the display case is turned off and that it is disconnected from the power mains.
- Set up a sign indicating the work that is being done.
- If necessary, procure adequate lifting equipment.
- Verify that the operations to be done will not injure personnel or damage nearby machinery.

If the display case has not been used for a long time (*winter season*), we recommend the following procedures before turning it on again.

- Thoroughly clean the display section
- Thoroughly clean the condenser
- Thoroughly clean the glass structure
- Thoroughly clean the external structure
- Check the ventilator fans to be sure they are not clogged.

**IMPORTANT - Incorrect or poor maintenance can make the display case hazardous to the operator and the personnel working near it.**

## 10.2 - CLASSIFICATION OF INTERVENTIONS

Maintenance work falls into two categories:

- **Normal maintenance:** defined as work done to maintain normal operating conditions for the display case, i.e. without requiring the replacement of any parts.

*This includes:*

- Maintenance during the first ten hours of operation.
- Weekly maintenance work.
- Monthly maintenance work.
- Work done every six months.
- Work done annually.

• **Extraordinary maintenance:** defined as work comprising:

- Work required due to malfunctions;
- Work to be done at long intervals, i.e. work corresponding to the end of the work life of a main part and requiring the interruption of display case operation.

**ATTENTION** - All the operations preceded by the symbol "■" must be performed by a specialized technician.

## 10.3 - REQUIREMENTS FOR MAINTENANCE PERSONNEL

Maintenance of these machines must be conducted **SOLELY** by qualified personnel specializing in working with refrigerating systems.

- **They must know and understand the written instructions, laws and regulations.**

The instructions drawn up by ITAL PROGET include the manual and the signs on the machine and control parts. The laws and regulations in force in the country where the machine is being used may entail greater safety provisions or identify further risks with respect to the ones listed in the manual.

- **They must have had actual training on the operations to be performed.**

Maintenance workers must have read the instructions in this manual and be familiar with all the commands so that they can work in full compliance of the safety regulations currently in force.

- **They must not be drug or alcohol abusers.**

The use of these substances impairs ready reflexes and coordination.

A technician who uses prescription drugs must obtain medical advice on his ability to conduct certain types of activities.

## 10.4 - CLOTHING

Before starting any work operation, maintenance workers must wear suitable clothing that respects the indications envisioned by current regulations. All the instruments that are used must be in perfect condition and be type-tested. The maintenance worker must **ALWAYS** check the supplied devices and replace them if they are damaged or are not compliant.

Listed below is a table with the devices the Italproget recommends.

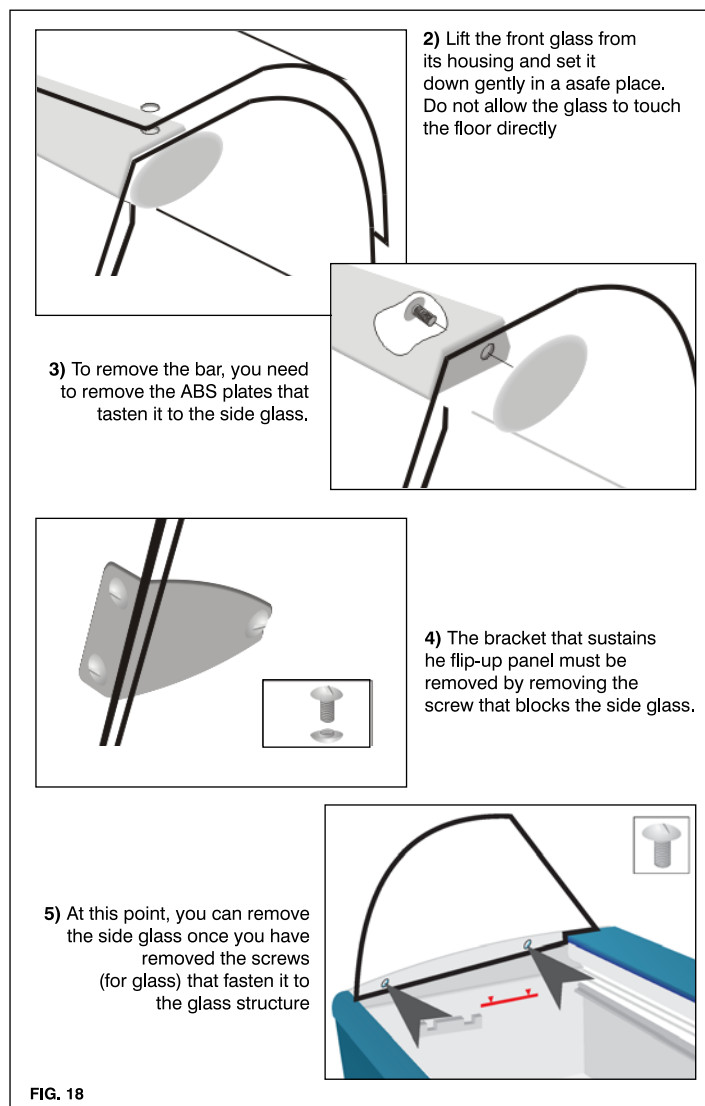
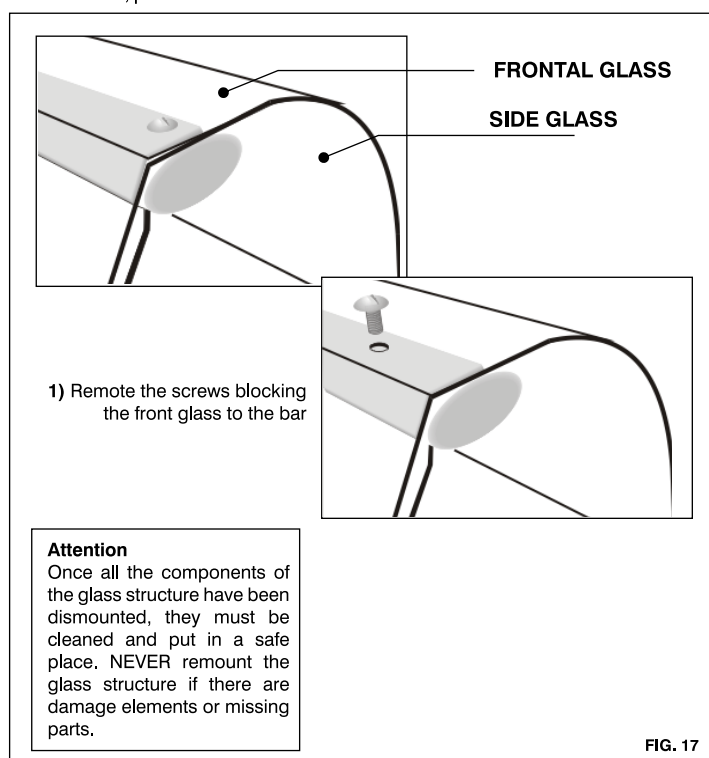
### IMPORTANT TOOLS FOR MAINTENANCE PERSONNEL

|  |   |
|--|---|
|  | WEAR PROTECTIVE GLOVES                    |
|  | WEAR GOGGLES (DURING WELDING WORK)        |
|  | WEAR SAFETY SHOES                         |
|  | WEAR WORK OVERALLS WITHOUT ANY LOOSE ENDS |

## 10.5 - CLEAN AND DISMOUNTING THE GLASS STRUCTURE

Maintenance of the glass structure is very simple but it must also be done carefully due to the type of elements it comprises. It must be cleaned weekly using warm water and Marseilles soap.

To dismount, proceed as follows.



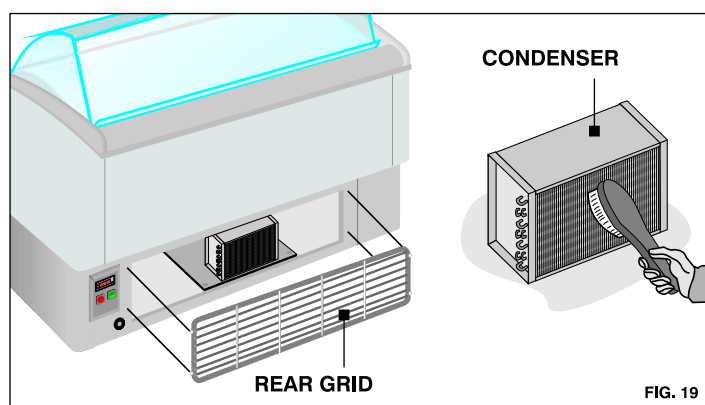
## 10.6 - CLEANING THE CONDENSER

The condenser must be cleaned every 30 days maximum and this involves removing the dust that collects in the fins.

**IMPORTANT** - Disconnect the display case from the power mains and follow the instructions listed in the "General Information" section of this chapter. Cleaning must be done gently without bending or breaking the fins, using a stiff brush.

**IMPORTANT** - Do not use fluids to clean the condenser.

To access the condenser, remove the rear grid (Fig. 19), removing the screws that fasten it to the structure.



## 10.7 - CLEANING THE PLASTIC AND PAINTED PARTS

lean these parts with warm water and neutral Marseilles soap. Dry well with a soft cloth (the display case must be turned off and disconnected from the power mains).

### ATTENTION

NEVER use inflammable or abrasive products.  
NEVER spray water to clean the display case.

## 10.8 - CLEANING THE DISPLAY SECTION

To clean the display section, you need to remove **all** the ice cream tubs and place them in the refrigerator. At this point, you can clean this section. Use only warm water and neutral Marseilles soap. Dry well with a soft cloth (the display case must be turned off and disconnected from the power mains).

### ATTENTION

NEVER use inflammable or abrasive products.  
NEVER spray water to clean the display case.

**Although the cabinet has a sophisticated defrost system we recommend that once every 7 days that:**

1. The ice cream is removed and the cabinet is switched off. This is best done at the end of the day allowing the cabinet several hours to defrost any ice that has accumulated
2. Next day thoroughly clean the well of the cabinet with warm water with a mild detergent. It is important from a hygiene point of view that the cabinet is kept clean and that ice cream which inevitably gets spilt is not allowed to lie for long periods of time.
3. Pay particular attention to the area under the rear serving shelf where ice cream may have accumulated during scooping. Ensure that you do not cause injury as the fins of the evaporator are sharp!
4. Ensure that no ice remains on the evaporator.  
This operation is particularly important where the cabinet is positioned inhumid conditions or in direct wind currents. On windy, humid, days ice will accumulate on the evaporator and the defrost may not be able to clear all of it. This will mean that ice will eventually build up and cause problems.

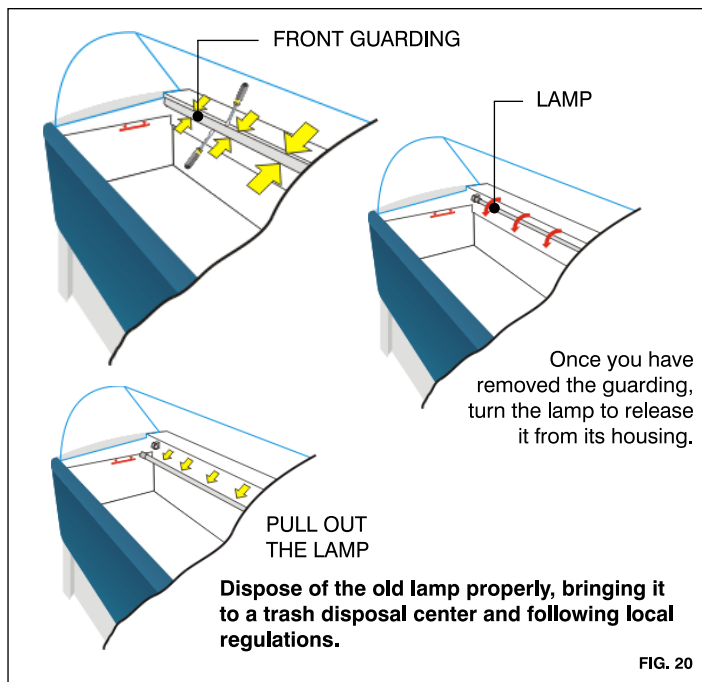
Automatic defrost does not mean that the cabinet never has to be switched off!!

## 10.9 - REPLACING THE LAMP "■"

### ATTENTION

This operation can be performed only by highly qualified personnel or by **ITAL PROGET**'s technical staff.

Follow the instructions in the "General information" section, wearing the required garments as indicated. To replace the lamp, you must remove the front guarding from its housing by pressing lightly, using a flat-head screwdriver. **Proceed carefully to avoid breaking or scratching the guarding.**



# 11 TROUBLESHOOTING

| FAULT   | CAUSE   | SOLUTIONS   |
|---|---|---|
| <ul style="list-style-type: none"> <li>• Display case fails to start up.</li> <li>• Display case fails to reach proper temperature.</li> <li>• Display case noisy.</li> </ul> | <ul style="list-style-type: none"> <li>• No supply voltage.</li> <li>• Main switch OFF.</li> <li>• Plug not connected.</li> <li>• Switchboard not set correctly.</li> <li>• Product exceeds loading limits.</li> <li>• Product put in when too hot or moist.</li> <li>• Flip-up panel open too long.</li> <li>• Electrical system fault.</li> <li>• Refrigerating system fault.</li> <li>• Floor unstable.</li> <li>• Contact with external objects.</li> <li>• Screws loose (e.g. glass structure or grids).</li> <li>• Refrigerating system fault.</li> </ul> | <ul style="list-style-type: none"> <li>• Check the supply cable.</li> <li>• Verify that the main switch is set to ON.</li> <li>• Check the position of the plug.</li> <li>• Set proper temperature.</li> <li>• Remove excess product.</li> <li>• Check product.</li> <li>• Close flip-up panel.</li> <li>• (*) Contact a qualified technician or ITAL PROGET.</li> <li>• (*) Contact a qualified technician or ITAL PROGET.</li> <li>• Use shims to stabilize the display case.</li> <li>• Remove any external objects in contact with the display case.</li> <li>• Check screw tightness.</li> <li>• (*) Contact a qualified technician or ITAL PROGET.</li> </ul> |

### Important

If these solutions are not successful, please contact ITAL PROGET's Technical Servicing Department. The operator must never intervene if intervention by qualified personnel is specified (\*).



## 12.1 - GENERAL INFORMATION

This chapter offers all the technical information required to dismantle the display case in compliance with the regulations currently in force.



**This symbol on the product or on its packaging indicates that this product may NOT be treated as household waste. Instead it shall be handed over to the applicable collection point for the recycling of electrical and electronic equipment. By ensuring this product is disposed of correctly, you will help prevent potential negative consequences for the environment and human health, which could otherwise be caused by inappropriate waste handling of this product. For more detailed information about recycling of this product, please contact your local city office, your household waste disposal service or the shop where you purchased the product.**

### 12.1.1. DISMANTLING FOR DEMOLITION

***If the display case is going to be scrapped, this creates two separate problems:***

- The first one is administrative: The competent public offices must be notified that the machine is being scrapped so that the documentation they have on file about the machine can be canceled.

The display case comes with a set of legal documents, such as the manual, the nameplate and the various authorizations that must be examined once the decision is made to demolish the machine.

- The second one involves physically disposing of the display case: to do this, it is essential to contact specialized disposal companies or the manufacturer.

***Proceeding with demolition of the display case is absolutely forbidden unless these indications have been observed.***

### 12.1.2 - DISMANTLING FOR TRANSFER

If the display case needs to be dismantled in order to move it to another area, proceed as follows:

***Before starting to disassemble the machine, you are required to shut off the electrical supply.***

All of this must be done by setting up special signs to indicate what you are doing.

Disassembly must be carried out by qualified personnel or directly by the manufacturer, being sure to separate and identify (mark) all the components.

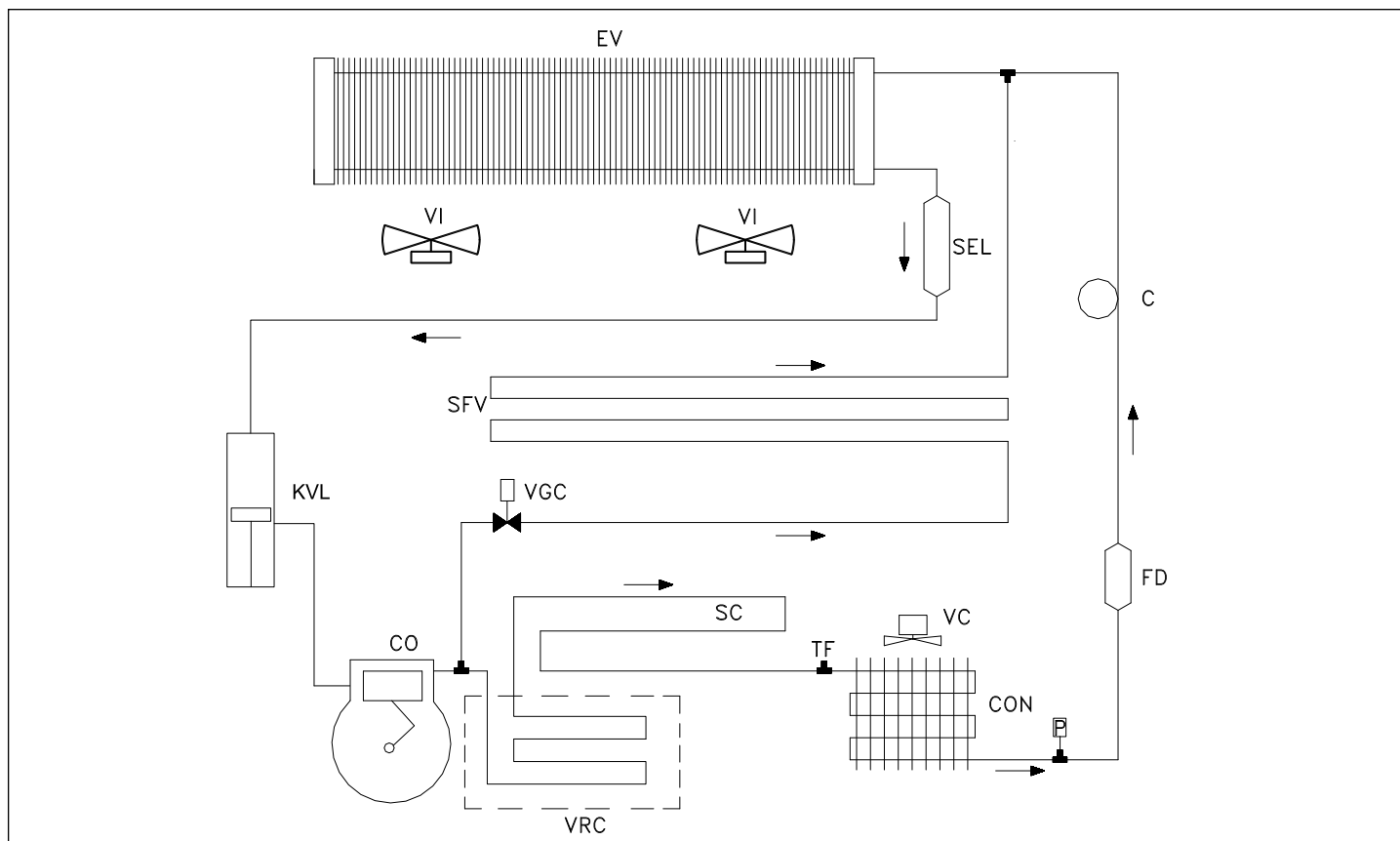
***Perfect organization during disassembly guarantees perfect and safe re-assembly.***

***All the material must be kept in a dry area that is protected against weather.***

***Before remounting the machine, check the material thoroughly for any damage.***

- *Refrigerating system diagram*
- *Functional wiring diagram*
- *Electrical cabling diagram*
- *Exploded drawing*
  
- *Correct installation form*

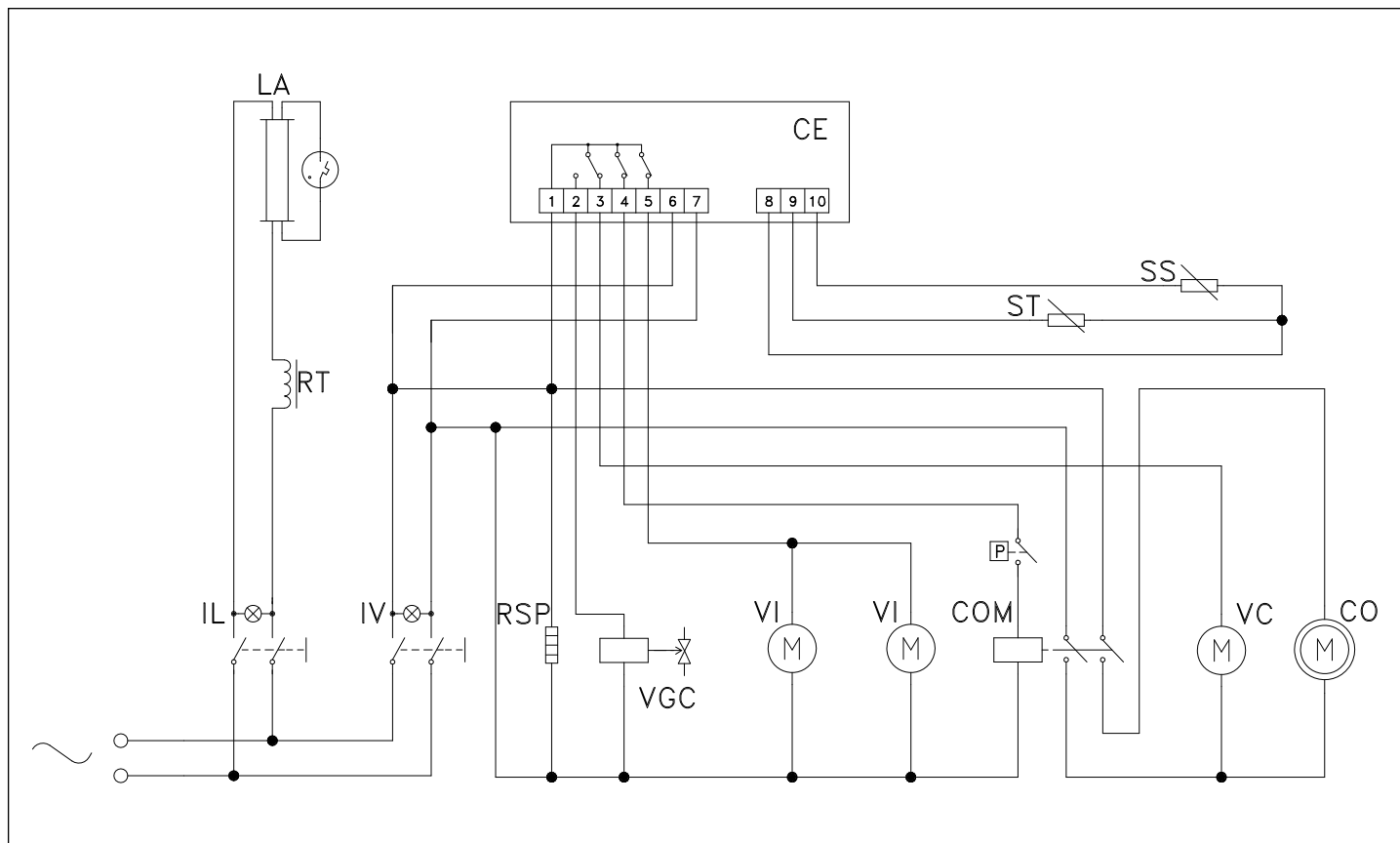
REFRIGERATING SYSTEM DIAGRAM



REFRIGERATING SYSTEM DIAGRAM

- C - CAPILLARY
- CO - COMPRESSOR
- CON - CONDENSER
- EV - EVAPORATOR
- FD - DEHYDRATING FILTER
- P - HIGH-PRESSURE SWITCH
- SC - GLASS HEATING
- SEL - LIQUID SEPARATOR
- SFV - DEFROSTING DRIP CAP
- TF - FUSE CAP
- VC - CONDENSATION VENTILATOR
- VGC - DEFROSTING SOLENOID VALVE
- VI - EVAPORATOR FAN
- VRC - CONDENSATION EVAPORATION TUB
- KVL - PRESSURE REGULATOR VALVE

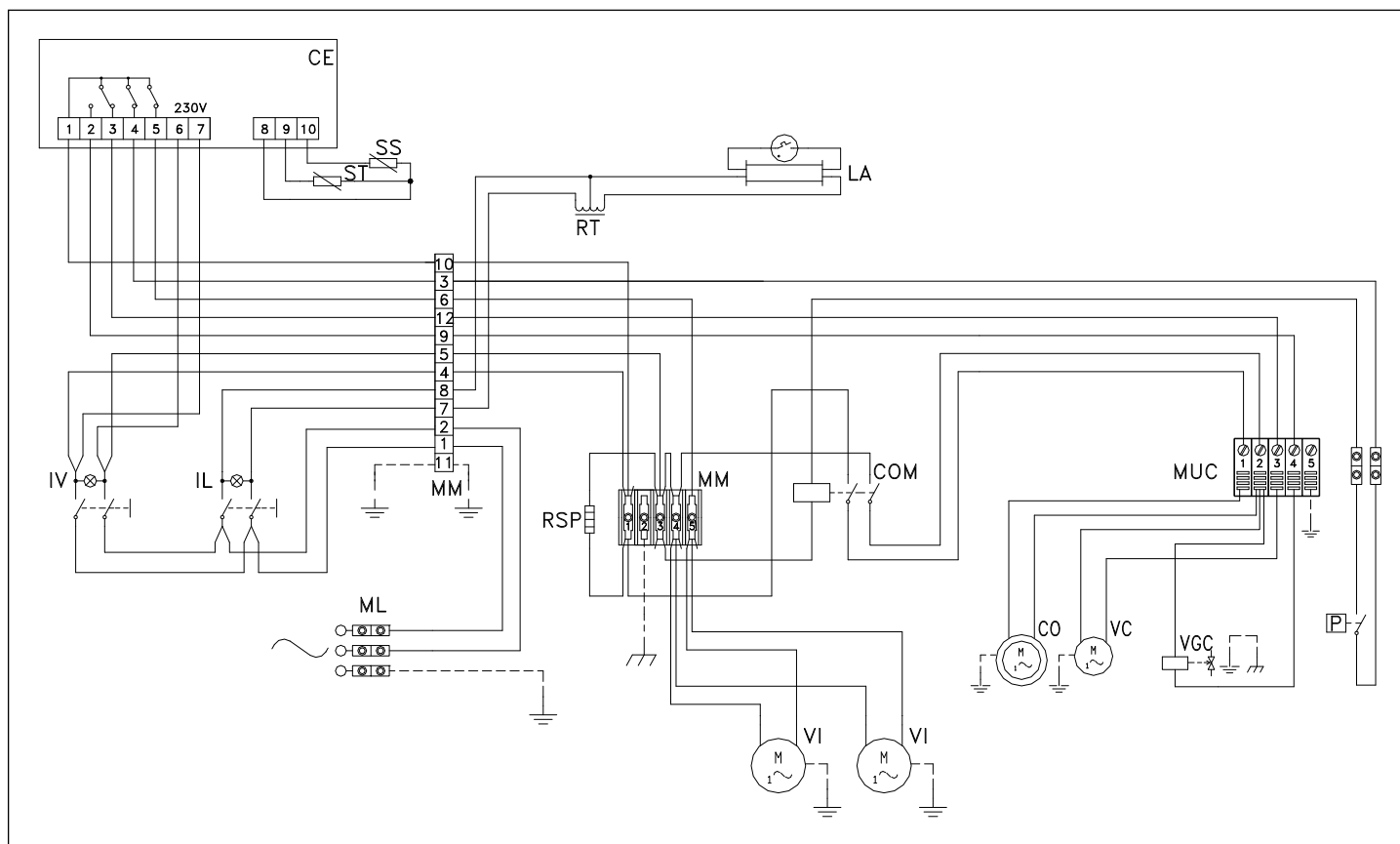
**FUNCTIONAL WIRING DIAGRAM**



**FUNCTIONAL WIRING DIAGRAM**

- CE - ELECTRONIC SWITCHBOARD
- CO - COMPRESSOR
- COM - COMPRESSOR RELAY
- IL - LIGHTING SWITCH
- IV - REFRIGERATING SWITCH
- LA - FLUORESCENT LAMP
- P - PRESSURE SWITCH
- RSP - HEATING COIL
- RT - REACTOR
- SS - DEFROSTING PROBE
- ST - TEMPERATURE PROBE
- VC - CONDENSATION VENTILATOR
- VGC - SOLENOID VALVE
- VI - INTERNAL VENTILATORS

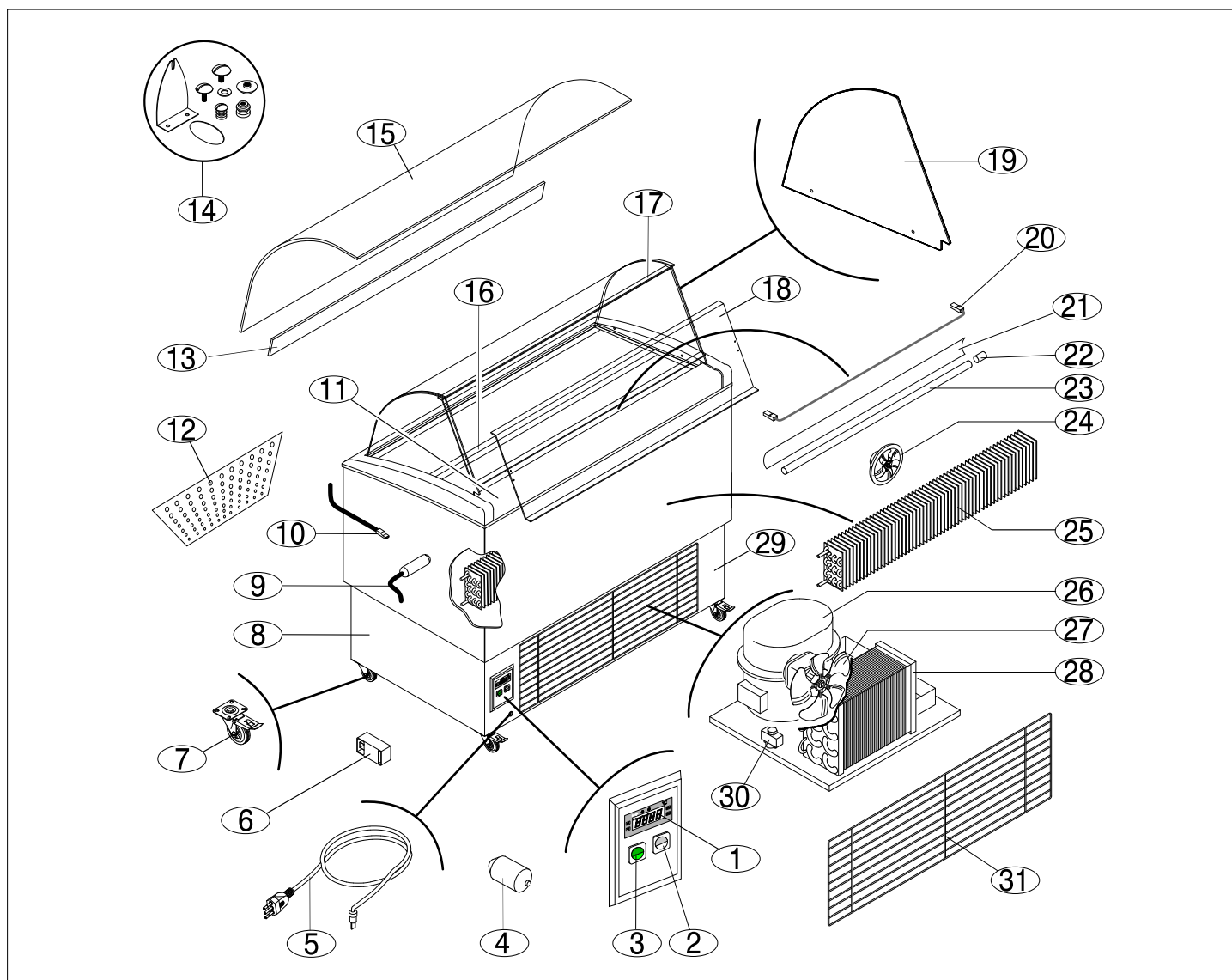
**ELECTRICAL CABLING DIAGRAM**



**ELECTRICAL CABLING DIAGRAM**

- CE - ELECTRONIC SWITCHBOARD
- CO - COMPRESSOR
- COM - COMPRESSOR RELAY
- IL - LIGHTING SWITCH
- IV - REFRIGERATING SWITCH
- LA - FLUORESCENT LAMP
- ML - POWER SUPPLY TERMINAL
- MM - MULTIPOLE TERMINAL BLOCK
- MUC - CONDENSER UNIT TERMINAL
- P - PRESSURE SWITCH
- RSP - HEATING COIL
- RT - REACTOR
- SS - DEFROSTING PROBE
- ST - TEMPERATURE PROBE
- VC - CONDENSATION VENTILATOR
- VGC - SOLENOID VALVE
- VI - INTERNAL VENTILATORS

EXPLODED DRAWING



LIST OF COMPONENTS

| POS. | DESCRIPTION                 |
|------|-----------------------------|
| 1    | ELECTRONIC SWITCHBOARD      |
| 2    | LIGHTING SWITCH (WHITE)     |
| 3    | DISPLAY CASE SWITCH (GREEN) |
| 4    | SUPPLY FILTER               |
| 5    | POWER CABLE                 |
| 6    | REACTOR                     |
| 7    | WHEEL                       |
| 8    | LEFT SIDE CASING            |
| 9    | TEMPERATURE PROBE           |
| 10   | DEFROSTING PROBE            |
| 11   | STAINLESS STEEL SERVICE TOP |
| 12   | FRONT GRATE                 |
| 13   | FRONT DEFLECTOR PANEL       |
| 14   | GLASS STRUCTURE ACCESSORIES |
| 15   | FRONTAL GLASS               |
| 16   | CONTAINER DEPARATING BAR    |

| POS. | DESCRIPTION                     |
|------|---------------------------------|
| 17   | UPPER PROFILE (GLASS)           |
| 18   | HINGED GLASS                    |
| 19   | SIDE GLASS                      |
| 20   | HEATING RESISTOR                |
| 21   | NEON COVER                      |
| 22   | STARTER                         |
| 23   | NEON                            |
| 24   | INTERNAL FAN                    |
| 25   | EVAPORATOR                      |
| 26   | HERMETIC COMPRESSOR             |
| 27   | VENTILATOR CONDENSER            |
| 28   | CONDENSER                       |
| 29   | RIGHT SIDE CASING               |
| 30   | SOLENOID VALVE                  |
| 31   | REAR PLASTIC-COATED WIRE SCREEN |



Copy to be sent to the manufacturer - ITAL PROGET

**CORRECT INSTALLATION FORM**

CLIENT: \_\_\_\_\_

ADDRESS: \_\_\_\_\_

CITY: \_\_\_\_\_

Retailer's stamps:

TEL: \_\_\_\_\_

ZIP CODE: \_\_\_\_\_

PROVINCE: \_\_\_\_\_

Installer's stamp:

First name: \_\_\_\_\_

Last name: \_\_\_\_\_

Address: \_\_\_\_\_ Zip code: \_\_\_\_\_

City: \_\_\_\_\_ Tel: \_\_\_\_\_

Delivery date: \_\_\_\_\_

Delivery document: \_\_\_\_\_

Display case model: \_\_\_\_\_

Serial number: \_\_\_\_\_ Year: \_\_\_\_\_

Following installation of the display case, the client hereby declares that the work was carried out correctly and in compliance with the present instructions manual. He further declares that he has seen its perfect operation and is aware of the instructions for correct use and proper operation and maintenance of the display case.

CLIENT signature \_\_\_\_\_

Signature of the RETAILER/  
INSTALLER \_\_\_\_\_

**\* This declaration is not valid unless filled out completely and signed.**

CP2800047700



Via Ponte di Ferro, 85I - 06084 BETTONA (PERUGIA)  
Tel. +39 075 9869071 - +39 075 987038 - Fax +39 075 987016