



Project:

Item Number:

Quantity:

E122/F122 COUNTERTOP SHAKE FREEZERS OR FROZEN BEVERAGE DISPENSERS




E122



DESCRIPTION

Compact, space-saver machines offer the convenience to serve frozen beverages, shakes, smoothies or frozen cocktails. IntelliTec2™ control communicates with the operator through a multi-line graphics LCD using full text instructions.

 Every machine includes Stoelting's White Glove Service. One call does it all – customer service, technical service, parts or warranty information, installation, startup, sales, on-site service dispatch and much more. Available 24 hours a day, seven days a week year-round.

Continuous research leads to ongoing product improvements; therefore, these specifications are subject to change without notice and should not be used as installation specifications.

ITEMS

| Air Cooled | | Water Cooled |
|---------------------------------------|---------------------------------------|---------------------------------------|
| <input type="checkbox"/> E122-38I2 | <input type="checkbox"/> F122-38I2 | <input type="checkbox"/> F122-18I2-AF |
| <input type="checkbox"/> E122-38I2-AF | <input type="checkbox"/> F122-38I2-AF | |
| <input type="checkbox"/> E122-38I2P | <input type="checkbox"/> F122-38I2P | |

MIX INLET REGULATOR – (REQUIRED)

One per barrel.

- 2187058** For use with E122
- 2203090** For use with F122

OPTIONS AND ACCESSORIES

- 2183807; 2187101** Kits to Add Autofill Capability
- 2187905** Brix Autofill Kit (5 to 1 Ratio)
- 2203249** Brix Autofill Kit (3 to 1 Ratio)

FEATURES

- Delrin® food grade plastic blades provide quiet operation and superior durability.
- Simplified design for quick assembly after cleaning.
- On demand defrost prevents ice buildup and ensures a smooth frozen treat with consistent quality.
- Clear door displays circulating product for merchandising appeal.
- Highly efficient auger design gently folds the entire contents of the freezing cylinder, delivering a thick, smooth, and creamy product.
- Efficient freezing cylinder and auger design deliver a consistent uniform creamy product and a quick recovery time.
- Compact counter-top design saves valuable counter space.
- Single switch for simple operation and cleaning.

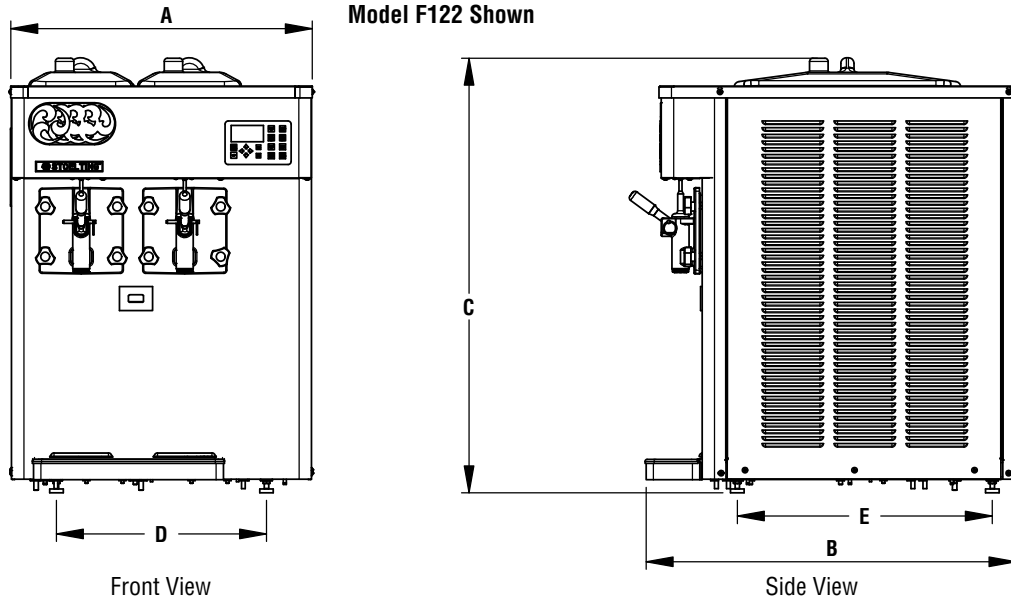
IntelliTec2™ Control

- Programmable and configurable through multi-line graphics display.
- Upload firmware and download statistics through a USB connection.
- Performance and error logs provide data to maximize profitability.
- Senses product consistency or temperature to customize for a wide variety of mixes.
- Standby and sleep modes conserve energy and automatically defrost product, maintaining small ice crystals and delivering a superior mouthfeel.
- Tamper-proof controls for self-serve applications.

| Approvals | Date |
|-----------|------|
| | |

E122/F122 COUNTERTOP SHAKE FREEZERS OR FROZEN BEVERAGE DISPENSERS

DIMENSIONS



GENERAL SPECIFICATIONS

| Machine | Freezing Cylinder | | | Drive Motor (hp) | Hopper Capacity gallon (L) | Dimensions – in (cm) | | | | | Weight lb (kg) | Crated Weight lb (kg) |
|--------------|---------------------|-------------------|-------------|------------------|----------------------------|----------------------------|----------------------------|----------------------------|----------------------------|----------------------------|----------------|-----------------------|
| | Capacity gallon (L) | Compressor Btu/hr | Refrigerant | | | (A) Width | (B) Depth | (C) Height | (D) Foot-to-Foot | (E) Foot-to-Foot | | |
| E122-38I2 | Two 2.13 (8.04) | 5,500 | R-404A | Two | Two 3 (11.36) | 19 $\frac{5}{8}$ (49.8) | 30 $\frac{1}{4}$ (76.8) | 35 $\frac{1}{2}$ (90.2) | 16 $\frac{3}{4}$ (45.1) | 20 $\frac{3}{4}$ (52.7) | 275 (124.7) | 364 (165.1) |
| E122-38I2-AF | | | | 1/3 | | | | | | | | |
| E122-38I2P | | | | 1/3 | | | | | | | | |
| F122-38I2 | Two 2.13 (8.04) | 12,000 | R-404A | Two | Two 3 (11.36) | 25 $\frac{7}{8}$ (65.7) | 33 $\frac{3}{8}$ (84.8) | 38 $\frac{1}{4}$ (97.2) | 17 $\frac{1}{2}$ (44.5) | 21 $\frac{1}{4}$ (54.0) | 390 (176.9) | 458 (207.7) |
| F122-38I2-AF | | | | 1/2 | | | | | | | | |
| F122-38I2P | | | | 1/2 | | | | | | | | |
| F122-18I2-AF | | | | 1/2 | | | | | | | | |

- Requires a dedicated electrical circuit.
- Indoor use only.
- Maximum ambient temperature: 100°F (37.8 °C).

ITEM NUMBER SPECIFICATIONS

| Item No. | Cooling | Phase | Volts | Running Amps | Hz | Plug | |
|--------------|---------|-------|---------|--------------|----|-------------|-------|
| E122-38I2 | Air | 1 | 208-240 | 10.6 | 60 | NEMA 6-15P* | |
| E122-38I2-AF | | | | | | | |
| E122-38I2P | | | | | | | |
| F122-38I2 | Air | 1 | 208-240 | 14.5 | 60 | NEMA 6-20P* | |
| F122-38I2-AF | | | | | | | |
| F122-18I2P | | | | | | | Water |
| F122-38I2-AF | | | | | | | Air |

* Power cord provided.

- **E122 machines require:** Minimum clearance of 4" (10.2 cm) air space at back.
- **F122 machines require:**
Air cooled: Minimum clearance of 6" (15.2 cm) air space on both sides.
Water cooled: $\frac{3}{8}$ " N.P.T. water and drain fittings. Maximum water pressure of 130 psi. Minimum water flow rate of 3 GPM. Ideal EWT of 50°-70°F



Service Information
 800-319-9549 (U.S. Toll Free)
 920-894-2293 (Outside the U.S.)
 www.stoeltingfoodservice.com
 www.vollrath.com