

Project:

Item Number:

Quantity:

COMPANION CART PORTABLE CLEANING SYSTEM



DESCRIPTION

Stoelting's Companion Cart Portable Cleaning System allows cleaning your Frozen Treat machines as if you had a three sink system. It is fully customizable so you can get the exact configuration that suits your cleaning needs based on your machine location.

The Companion Cart 3 allows for cleaning without needing to breakdown the equipment to clean and maintain your fresh Frozen Treat machine. This saves labor, time, and money for your business.

Whether you serve soft serve, yogurt, shake or smoothie, frozen custard, or frozen beverage, the Companion Cart is the cleaning accessory to meet your business needs.



Every machine includes Stoelting's White Glove Service. One call does it all – customer service, technical service, parts or warranty information, installation, startup, sales, on-site service dispatch and much more. Available 24 hours a day, seven days a week year-round.

ITEMS

- CIPCART-1** Direct Connect to Water Supply
- CIPCART-2** Self-Contained with Pump
- CIPCART-3F3** Self-Contained with Pump and Hydra Rinse System

ACCESSORIES

- 265002** Hydra Rinse™ All-Purpose Wipes
- 265003** LEXX™ Liquid Sanitizer and Cleaner Concentrate (1 Gallon)
- 265004** LEXX™ Liquid Sanitizer and Cleaner Concentrate Cups (Case 72)
- 2208671-1** Hydra Rinse™ Pro-Control Wall Bracket
- 2208604** Hydra Rinse™ Kit for F231

FEATURES

Companion Cart 1

- Built-in paper towel holder, hose holder, and sanitizing wipe holder
- Fifty feet of hose (safe for potable water)
- Modular design makes it easy to pack-and-go
- Extendable drain board for added counter-space
- Spray wand with adjustable flow rate
- Includes one 15 gallon gray water tank
- Hose connects directly to water supply (Companion Cart 1 only)

Companion Cart 2

- All features of Companion Cart 1 plus the following
- Battery powered water pump (12V SLA)
- Foldable faucet for easy storage
- Folding step stool with mounting bracket
- Includes one 15 gallon fresh water tank and one 15 gallon grey water tank
- Integrates with Hydra Rinse washing system - spray wand with coiled hose connects to Lexx liquid sanitizer and cleaner concentrate. Dial system allows for water or Lexx delivery

Companion Cart 3

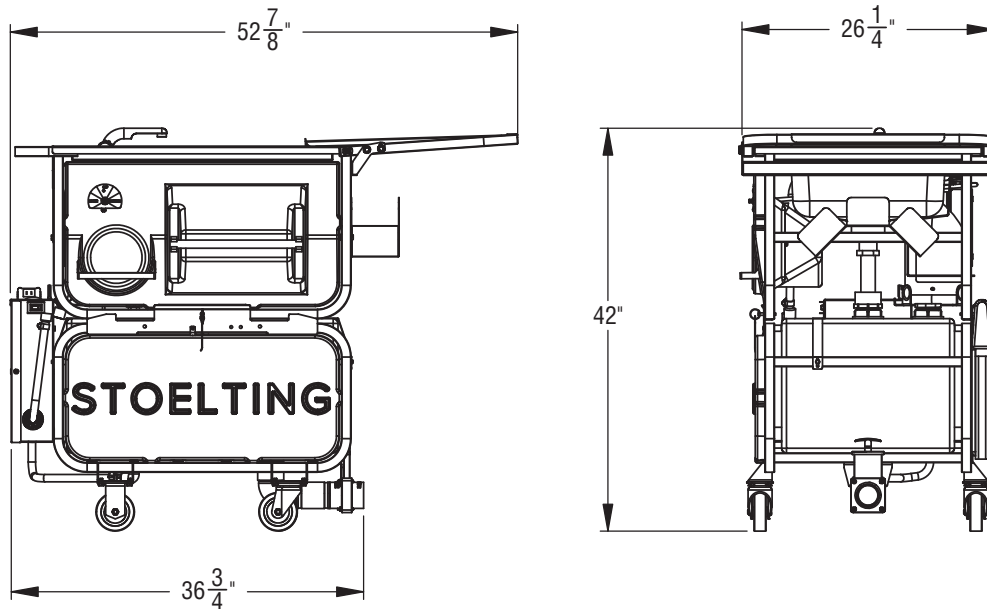
- All features of Companion Cart 2 plus the following
- Hydra Rinse system mixer unit connects directly to the front door of the Frozen Treat machine and controls the cleaning and sanitizing process.

Continuous research leads to ongoing product improvements; therefore, these specifications are subject to change without notice and should not be used as installation specifications.

Approvals	Date

COMPANION CART PORTABLE CLEANING SYSTEM

DIMENSIONS



GENERAL SPECIFICATIONS

Model	Fresh Water Tank gallons	Waste Water Tank gallons	Waste Water Outlet	Weight lb (kg)	Crated Weight lb (kg)	Dimensions - in (cm)		
						(A) Width	(C) Height	(B) Depth
Companion Cart	15	15	2" N.P.T.	180 (81.6)	195 (88.5)	36 3/4 (93.4)	42 (106.7)	26 1/4 (66.7)

UPGRADE KITS

The Companion Cart Portable Cleaning Systems can be customized for your specific needs.

Upgrade Kit	CIPCART-1	CIPCART-2	CIPCART-3
Fresh water tank 15 Gallons	Upgrade	Standard	Standard
Foldable faucet for easy storage	Upgrade	Standard	Standard
Water pump system (includes pump, battery, and charger)	Upgrade	Standard	Standard
Folding step stool (includes mounting bracket)	Upgrade	Standard	Standard
Hydra Rinse wand system	Upgrade	Standard	Standard
Hydra Rinse wand system	Upgrade	Upgrade	Standard



Service Information
 800-319-9549 (U.S. Toll Free)
 920-894-2293 (Outside the U.S.)
 www.stoeltingfoodservice.com
 www.vollrath.com