



*Model CompanionCart-1
Operator's Manual
513724*

Section 1: Introduction

This manual provides basic information about the cart. Instructions and suggestions are given covering its operation and care.

The illustrations and specifications are not binding in detail. We reserve the right to make changes to the cart without notice, and without incurring any obligation to modify or provide new parts for carts built prior to date of change.

DO NOT ATTEMPT to operate the cart until instructions and safety precautions in this manual are read completely and are thoroughly understood. If problems develop or questions arise in connection with installation, operation, or servicing of the cart, contact Stoelting.



stoeltingfoodservice.com

Stoelting Foodservice Equipment
502 Highway 67
Kiel, WI 53042-1600
U.S.A.

White Glove Service Network
Phone: 888.319.9549

© 2019 Stoelting

Section 1: Introduction

This manual is divided into the following five sections:

INTRODUCTION

- A. Parts of the Cart
- B. Specifications
- C. Assembly

OPERATION

- A. Setup Cart
- B. Drain Cart

MAINTENANCE

- A. Clean Gray Water Tank

PARTS

- A. CompanionCart Replacement Parts

INTRODUCTION

OPERATION

MAINTENANCE

PARTS

Section 1: Introduction

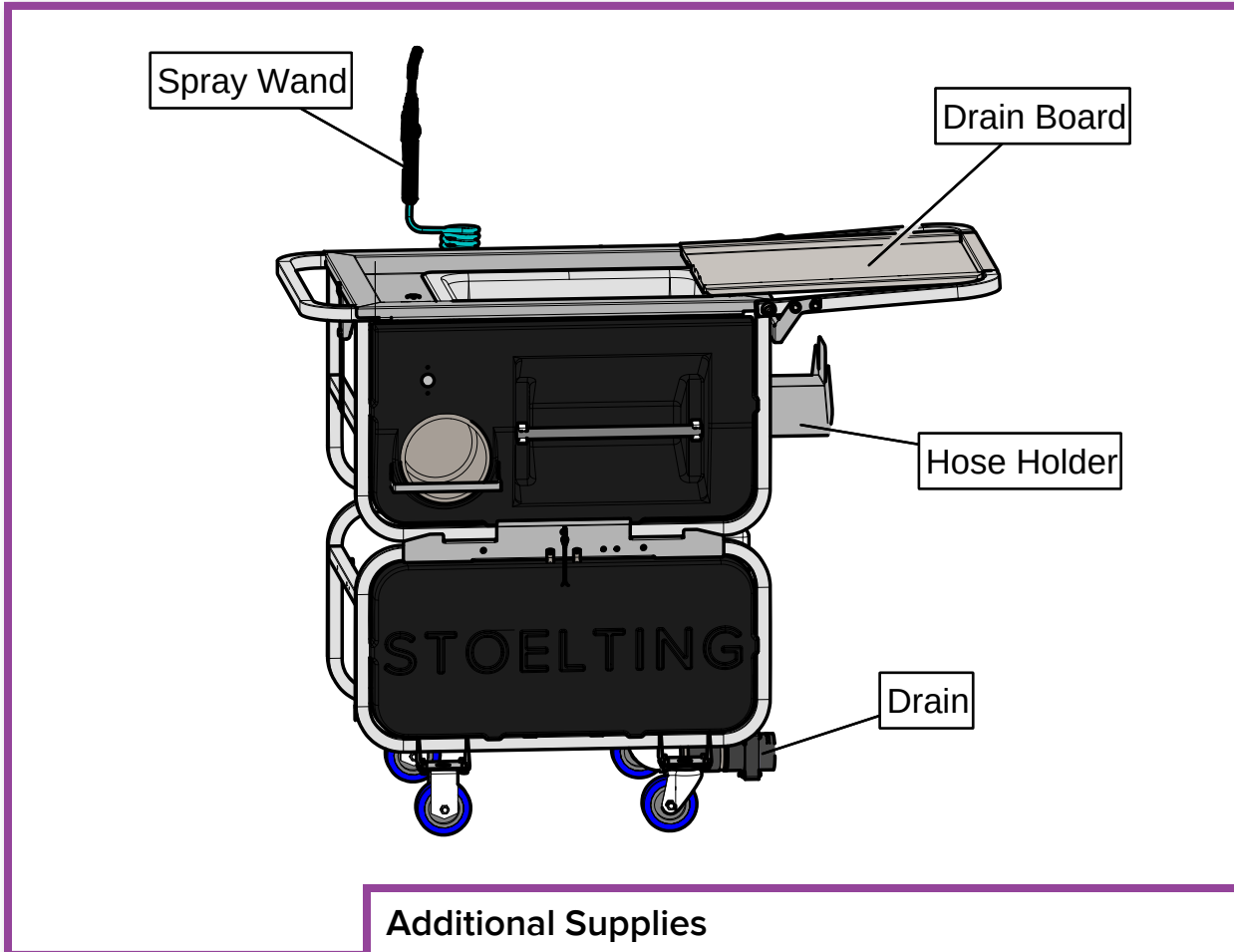
INTRODUCTION

OPERATION

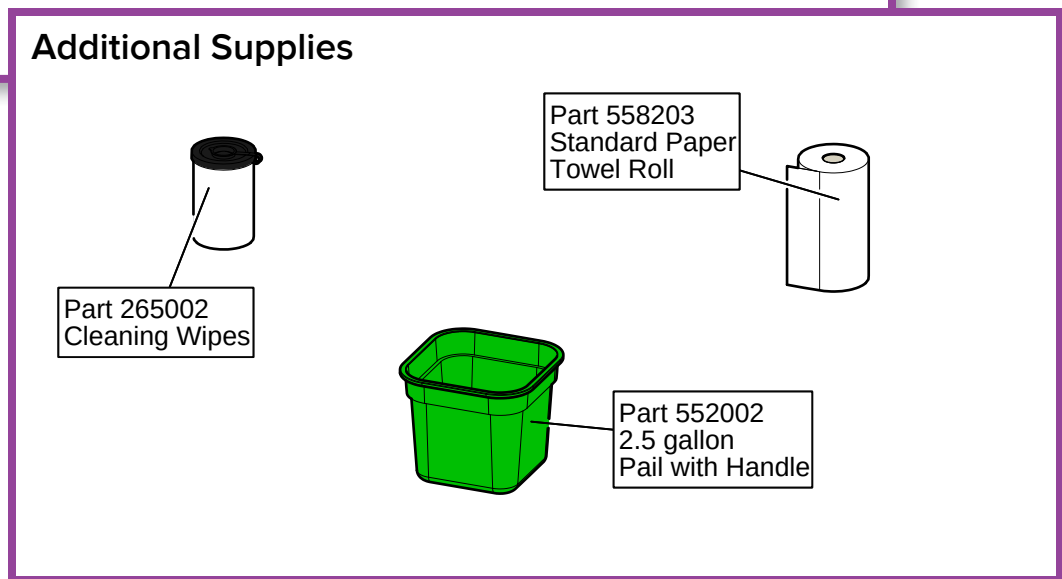
MAINTENANCE

PARTS

A. Parts of the Cart

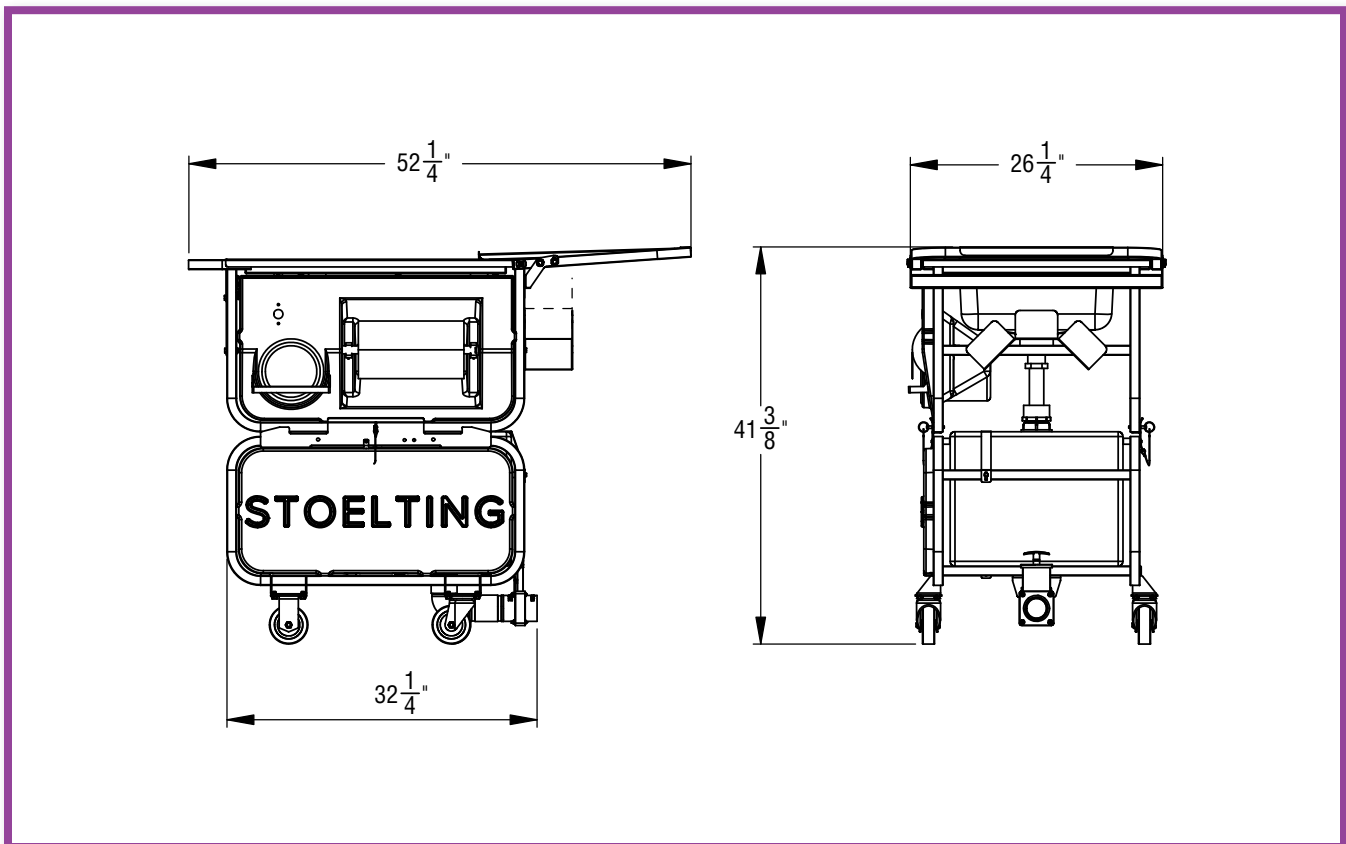


Additional Supplies



B. Specifications

Model CIPCART-1		
Dimensions	Cart	
	width	52-1/4" (132,7 cm)
	height	41-3/8" (105,1 cm)
	depth	26-1/4" (66,7 cm)
Weight (dry)	180 lbs (81,6 kg)	
Gray Water Tank	15 gallon (56.78 liters)	
Gray Water Tank Outlet	2" N.P.T.	



Section 1: Introduction

C. Assembly

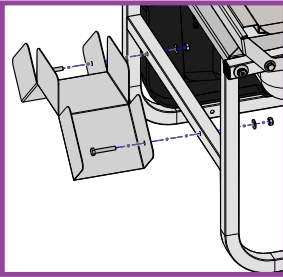
C.1

The upper and lower sections of the cart are shipped separately. Unbox both sections and remove all packing materials.

C.2

The hose holder bracket is installed for compact shipping. The bracket needs to be repositioned to face outwards.

Unscrew the nuts holding the bracket to the frame, move the bracket, and tighten the nuts.



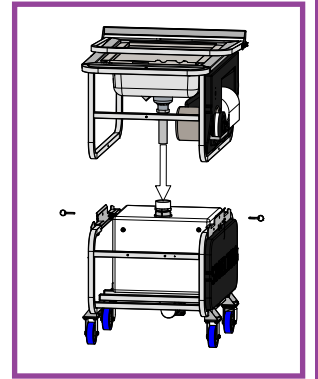
C.3

Place the lower section on a flat surface.

C.4

Place the upper section onto the lower section making sure the sink's drain pipe aligns with the gray water tank opening.

Secure the sections together using the two attached pins.



C.5

Install the cleaning wipes and paper towels (not included).

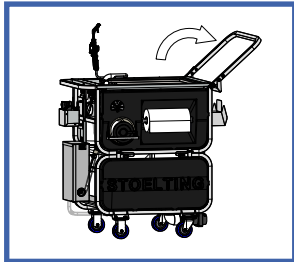
A. Operation

A.1

Wheel the cart into place by the machine.

A.2

Open the drain board support and slide the drain board onto the support.



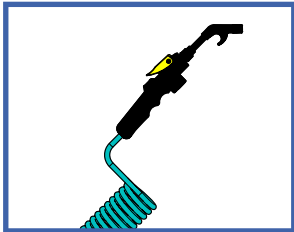
A.3

Connect the 50' hose to the water source.

A.4

Drain the hopper(s) and freezing cylinder(s) into a bucket. Rinse them using the spray wand.

The drained product can be discarded directly into the sink.



NOTE

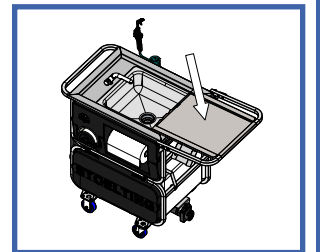
The gray water tank holds a maximum of 15 gallons of liquid. Note the amount of mix poured into the sink so as not to overfill the gray water tank.

A.5

Disassemble the parts in the freezing cylinder(s) and rinse them in the sink using the spray wand

A.6

Clean the drain board with a cleaning wipe.



Section 2: Operation

INTRODUCTION

A.7

Plug the sink with the sink strainer and fill it with water. Add a mild detergent per manufacturer's instructions.

A.11

While parts are in the sanitizing solution, wash and sanitize the drain board, machine hopper, and barrel(s).

A.8

Thoroughly wash all parts then place them on the drain board.

A.12

After 5 minutes in the sanitizing solution, remove all parts and let them air dry on the drain board.

A.9

Drain the sink and fill it with water for rinsing. Place the parts in the sink to remove any remaining washing solution from the parts.

A.13

Drain the sink.

A.10

Drain the sink and fill with sanitizing solution.
Use Stera Sheen or equivalent. Follow the sanitizer manufacturer's instructions for preparing the sanitizing solution.

A.14

Assemble the machine and make at least 2 gallons of sanitizing solution for each freezing cylinder.

OPERATION

MAINTENANCE

PARTS

A.15

Sanitize the machine then empty the used sanitizing solution into the sink drain.

NOTE

The gray water tank holds a maximum of 15 gallons of liquid. The tank may be nearly full if a large amount of mix was drained when emptying the machine. To prevent spillage, do not overfill the gray water tank.

A.16

The machine is now ready to make product. Add mix and start the machine per the machine instructions.

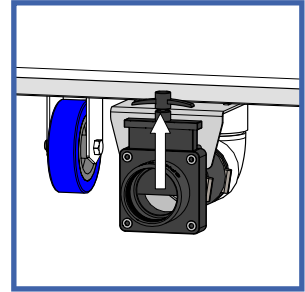
B. Drain Cart

B.1

Position cart so the gray water outlet is over a floor drain and connect the 2" elbow to the drain fitting if desired.

B.2

Pull the drain gate upwards to drain the gray water.



NOTE

To prevent splashing, do not fully open the gate when the tank is full.

Section 3: Maintenance

INTRODUCTION

A. Clean Gray Water Tank

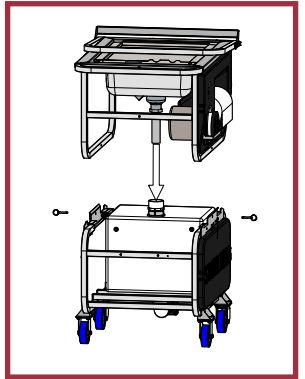
A.1

The gray water tank must be cleaned regularly. Empty it prior to cleaning,

A.2

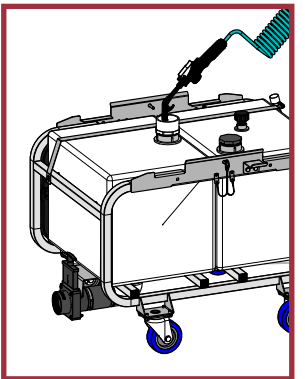
Disconnect the upper section of the cart by pulling out the two pins and remove the upper section.

Set the upper section down close enough for the wand to reach the gray water tank.



A.3

Use the spray wand to thoroughly wash the inside surface of the gray water tank.



A.4

Place the upper section of the cart onto the lower section and secure it with the four pins.

A.5

Drain the gray water tank:

1. Position cart so the gray water outlet is over a floor drain.
2. Connect the 2" elbow to the drain fitting if desired.
3. Pull the drain gate upwards to drain the gray water. Note: To prevent splashing, do not fully open the gate when the tank is full.

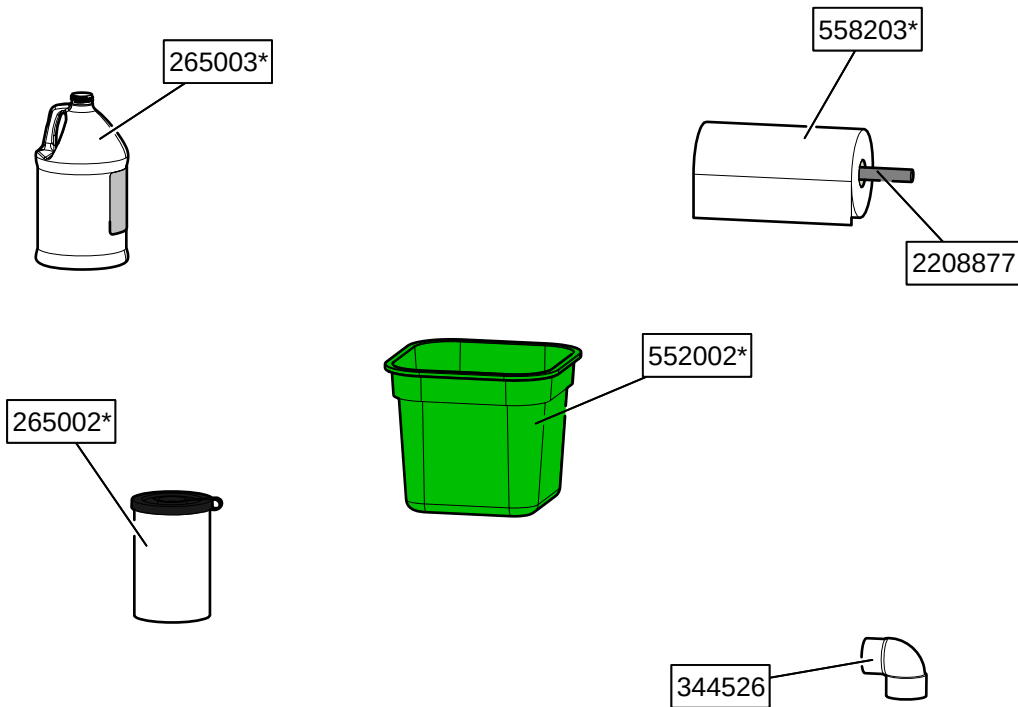
OPERATION

MAINTENANCE

PARTS

A.1

CompanionCart Replacement Parts



Part	Description	Quantity
265002*	Cleaning Wipes	*
265003*	Sanitizer Concentrate - 1 gallon	*
344526	Drain Fitting - 2" 90°	1
552002*	Pail - 2.5 Gallon w/Handle	*
558203*	Paper Towel Roll	*
2208877	Paper Towel Bar	1

* Part does not ship with CompanionCart and can be purchased separately.



COMPANIONCART WARRANTY

1. **Scope:**

Stoelting, A Vollrath Company ("Stoelting") warrants to the first user (the "Buyer") that the Stoelting-branded CompanionCart will be free from defects in materials and workmanship under normal use and proper maintenance for a period of one (1) year from the purchase date. This warranty is subject to all conditions, exceptions, and limitations contained herein.
2. **Disclaimer of Other Warranties:**

THIS WARRANTY IS EXCLUSIVE; AND STOELTING HEREBY DISCLAIMS ANY IMPLIED WARRANTY OF MERCHANTABILITY OR FITNESS FOR PARTICULAR PURPOSE.
3. **Remedies:**

Stoelting's sole obligations, and Buyer's sole remedies, for any breach of this warranty shall be, at Stoelting's option, one of the following: repair or replacement of the affected component at Stoelting's plant in Kiel, Wisconsin, or refund of the purchase price of the affected component. These obligations/remedies are subject to the conditions that Buyer (a) gives Stoelting prompt written notice of any claimed breach of warranty within the applicable warranty period, and (b) delivers the affected component to Stoelting or its designated service location, in its original packaging/crating, also within that period. Buyer shall bear the cost and risk of shipping to and from Stoelting's plant or designated service location.
4. **Conditions:**
 - a) Stoelting shall not be responsible to provide any remedy under this warranty with respect to any component that fails by reason of negligence, abnormal use, misuse or abuse, faulty repair made by others, use with parts or equipment not manufactured or supplied by Stoelting, any modification or alteration of any parts or equipment, or damage in transit.
 - b) The Authorized Stoelting Provider must return defective parts, at Stoelting's discretion, for credit.
5. **Exceptions:**

This warranty does **NOT** cover any of the following

 - a) Costs associated with installation labor, disposal of equipment being replaced, and shipping costs of replacement parts or CompanionCart.
 - b) This warranty does not extend to parts, sometimes called "wear parts", which are generally expected to deteriorate and to require replacement as the CompanionCart is used, including but limited to o-rings and batteries. All such parts are sold AS IS.
 - c) External components including but not limited to hoses, piping, or electrical equipment.
 - d) Labor and travel charges.
 - e) Failure, damage, or repairs due to faulty installation, misapplication, abuse, lack of service, or improper service, unauthorized alteration, improper operation as indicated in the Stoelting operators manual, including but not limited to failure to properly assemble and/or clean, improper tool usage, or use of unapproved lubrication, or cleaning and sanitizing supplies.
 - f) Any costs associated with electricity, including utility increases, from any reason whatsoever.
 - g) Any special, indirect or consequential property or commercial damage of any nature whatsoever, if the jurisdiction allows this exclusion.
7. **Limitations:**

THE REMEDIES SET FORTH IN THIS WARRANTY SHALL BE THE SOLE LIABILITY STOELTING AND THE EXCLUSIVE REMEDY OF BUYER WITH RESPECT TO EQUIPMENT SUPPLIED BY STOELTING; AND IN NO EVENT SHALL STOELTING BE LIABLE FOR ANY INCIDENTAL OR CONSEQUENTIAL DAMAGES, INCLUDING AS EXAMPLES BUT NOT INTENDED TO BE LIMITED TO DOWNTIME, OVERHEAD, MATERIALS, PERFORMANCE PENALTIES, LOST SALES, LOST PROFITS, PRODUCT LOSS, OR PROPERTY DAMAGES, WHETHER FOR BREACH OF WARRANTY OR OTHER CONTRACT BREACH, NEGLIGENCE OR OTHER TORT, OR ON ANY STRICT LIABILITY THEORY.

