



Project:

Item Number:

Quantity:

FROZEN BEVERAGE / GRANITA COUNTERTOP DISPENSER



ITEMS

- SCBA118-37 One 6-Liter Bowl
- SCBA128-37 Two 6-Liter Bowl
- SCBA168-37 Three 6-Liter Bowl
- SCBF118-37 One 10-Liter Bowl
- SCBF128-37 Two 10-Liter Bowl
- SCBF168-37 Three 10-Liter Bowl

FEATURES

- Magnetic drive & brushless motor system is reliable, durable and easy to use.
- Digital control allows user to customize settings for repeatable results and menu flexibility.
- Built-in timer to automatically put the machine in night mode
- Gasket-less spigot is easy to clean and maintain
- Standard double-wall bowls, ensuring virtually no condensation on the outside of unit
- Large compressor reduces freeze down times and promotes efficient operation

DESCRIPTION

Stoelting's SCBA, SCBF Frozen Beverage / Granita Countertop Dispenser is designed for frozen granitas and dairy-based drinks including: iced or frozen coffee or tea, frozen cocktails, and more. The product offerings in single, double and triple bowl options allow for many frozen beverage menu options.

WARRANTY: Five years on major components; One year on labor and non-wear parts.

	<p>Every machine includes Stoelting's White Glove Service. One call does it all – customer service, technical service, parts or warranty information, installation, startup, sales, on-site service dispatch and much more. Available 24 hours a day, seven days a week year-round.</p>
--	---

Continuous research leads to ongoing product improvements; therefore, these specifications are subject to change without notice and should not be used as installation specifications.

Approvals	Date

FROZEN BEVERAGE / GRANITA COUNTERTOP DISPENSER

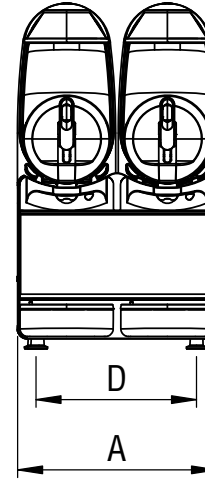
DIMENSIONS (shown in inches (cm))

Front View

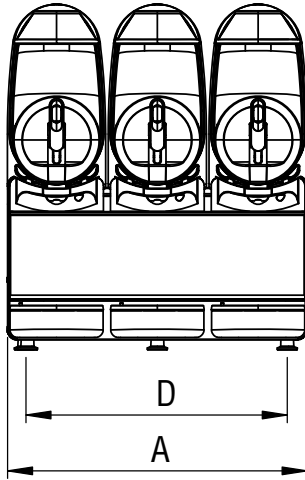
SCBA-118 &
SCBF-118



SCBA-128 &
SCBF-128

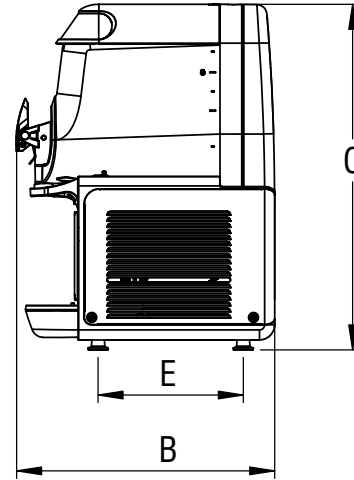


SCBA-168 &
SCBF-168



Side View

All Machines



SPECIFICATIONS

Item No.	Bowl Capacity Gal (L)	Electrical					Plug	Compressor (Btu/hr)	Dimension - in (cm)					Weight lb (Kg)	Crated Weight lb (kg)
		Voltage	Hz	Phase	Amps	(A) Width			(B) Depth	(C) Height	(D) Foot-to-Foot	(E) Foot-to-Foot			
SCBA118-37	1 x 1.5 (6)	115	60	1	4.3	NEMA 5-15P	920	7.8 (19.8)	18.9 (48.0)	24.0 (60.9)	5.0 (12.7)	11.3 (28.7)	50 (22.7)	63 (28.6)	
SCBA128-37	2 x 1.5 (6)	115	60	1	7.2	NEMA 5-15P	1700	15.6 (39.6)	18.9 (48.0)	24.0 (60.9)	12.5 (31.8)	11.3 (28.7)	90 (40.8)	102 (46.3)	
SCBA168-37	3 x 1.5 (6)	115	60	1	9.6	NEMA 5-20P	2100	23.6 (59.9)	18.9 (48.0)	24.0 (60.9)	20.4 (51.8)	11.3 (28.7)	125 (56.7)	128 (58.1)	
SCBF118-37	1 x 2.5 (10)	115	60	1	4.8	NEMA 5-15P	1200	7.8 (19.8)	18.9 (48.0)	27.9 (70.9)	5.0 (12.7)	11.3 (28.7)	55 (24.9)	66 (29.9)	
SCBF128-37	2 x 2.5 (10)	115	60	1	10.0	NEMA 5-15P	2100	15.6 (39.6)	18.9 (48.0)	27.9 (70.9)	12.5 (31.8)	11.3 (28.7)	99 (44.9)	105 (47.6)	
SCBF168-37	3 x 2.5 (10)	115	60	1	13.9	NEMA 5-20P	2800	23.6 (59.9)	18.9 (48.0)	27.9 (70.9)	20.4 (51.8)	11.3 (28.7)	134 (60.8)	136 (61.7)	

For indoor use only. Ambient temperature must be between 41 and 89°F
All models require 6" (15.2 cm) clearance on all sides.



Service Information

800-319-9549 (U.S. Toll Free)
920-894-2293 (Outside the U.S.)
www.stoeltingfoodservice.com
www.vollrath.com