



Project:

Item Number:

Quantity:


**F231-2X GRAVITY FED TWIN TWIST FLOOR MODEL WITH LARGE CAPACITY HOPPER**



**DESCRIPTION**

Stoelting’s Gravity Soft Serve Freezer dispenses two single flavors, or combines them in a twin twist. The F231-2X has 66% larger storage capacity than the standard F231. Each hopper can hold up to five gallons of mix.

This freezer is ideal in self-serve and buffet-style restaurants or any location seeking the convenience of less frequent hopper refills.

 Every machine includes Stoelting’s White Glove Service. One call does it all – customer service, technical service, parts or warranty information, installation, startup, sales, on-site service dispatch and much more. Available 24 hours a day, seven days a week year-round.

**ITEMS**

- F231-38I2-2X** Air-Cooled, Single Phase. Standard Carburetors
- F231-38I2-2X-R** Air-Cooled, Single Phase. Adjustable Carburetors
- F231-309I2-2X** Air-Cooled, Three Phase. Standard Carburetors
- F231-309I2-2X-R** Air-Cooled, Three Phase. Adjustable Carburetors

**FEATURES**

- NSF approved food grade plastic blades provide quiet operation and superior durability.
- Simplified design for quick assembly after cleaning.
- Adjust the dispense rate to meet your requirements.
- Clear door displays circulating product for merchandising appeal.
- Efficient freezing cylinder and auger design delivers a consistent uniform product with small ice crystals and a quick recovery time.
- Highly efficient auger design gently folds the entire contents of the freezing cylinder, delivering a thick, smooth, and creamy product.
- Self-closing spigot eliminates waste and ensures precise portion control.
- Long-wearing parts offer lower preventative maintenance costs.
- Organized hopper covers have compartments for all parts in the freezing cylinder. The hopper covers help with parts identification and prevent loss of parts.
- The adjustable carburetors allow for multiple mix types (sorbet, gelato, ice cream).

**IntelliTec™ Control**

- Programmable and configurable through multi-line graphics display.
- Upload firmware and download statistics through a USB connection.
- Performance and error logs provide data to maximize profitability.
- Senses product consistency or temperature to customize for a wide variety of mixes.
- Standby and sleep modes conserve energy and automatically defrost product, maintaining small ice crystals and delivering a superior mouthfeel.

**ADA Compliant Handles**

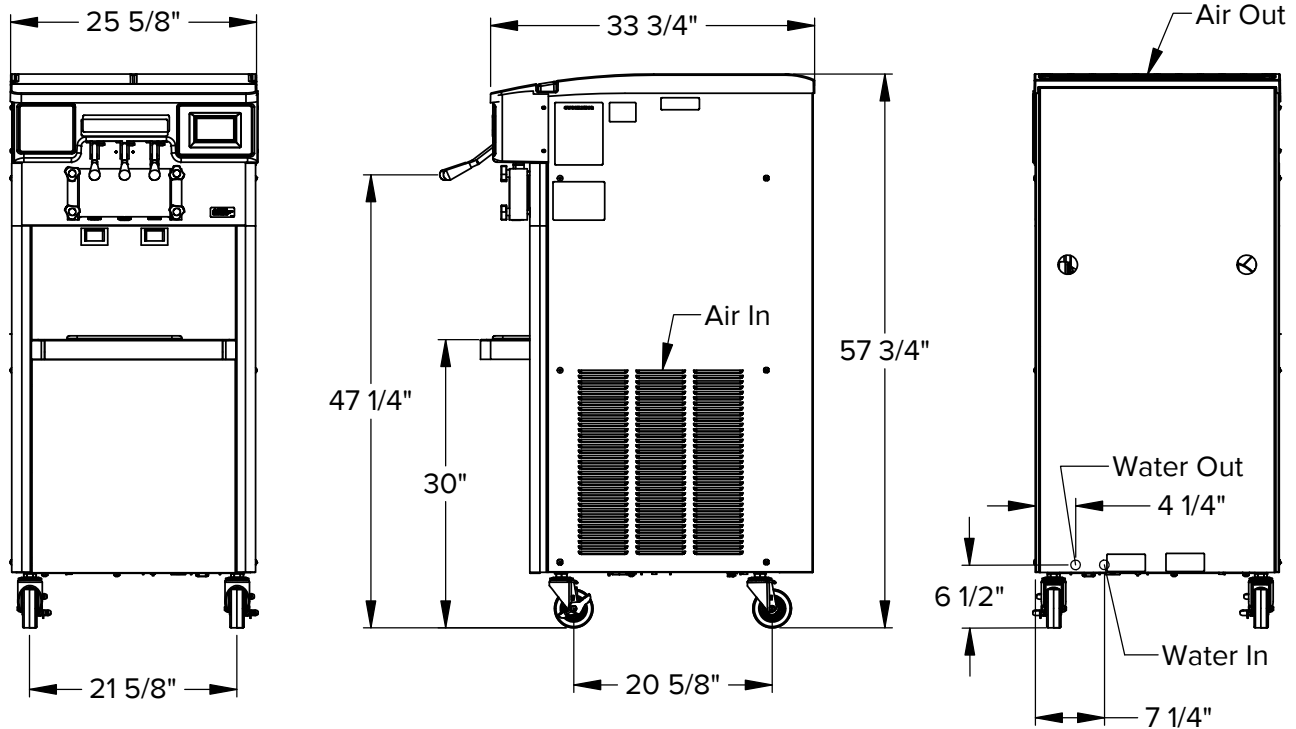
- Flat handles 48” from ground.

*Continuous research leads to ongoing product improvements; therefore, these specifications are subject to change without notice and should not be used as installation specifications.*

Approvals	Date

## F231-2X GRAVITY FED TWIN TWIST FLOOR MODEL WITH LARGE CAPACITY HOPPER

### DIMENSIONS



### GENERAL SPECIFICATIONS

Freezing Cylinder				Hopper				Drive Motor (hp)	Weight lb (kg)	Crated Weight lb (kg)
Capacity gallon (L)	Compressor			Capacity gallon (L)	Compressor					
	Btu/hr	Refrigerant	Charge (oz)		Btu/hr	Refrigerant	Charge (oz)			
Two 0.85 (3.2)	12,000	R-404A	42	Two 5 (18.9)	1,300	R-134a	8	Two 3/4	520 (235.9)	610 (276.7)

- Indoor use only.
- Maximum ambient temperature: 100°F (37.8°C).
- Requires a dedicated electrical circuit.
- Air cooled units require: 3" (7.6 cm) air space on both sides.
- Details on CAD Revit Symbols Libraries are available on [stoelting.klccad.com](http://stoelting.klccad.com)

### ITEM NUMBER SPECIFICATIONS

Model Number	Cooling	Phase	Volts	Hz	Running Amps	Cord with Plug (Included)	Carburetor
F231-3812-2X	Air	1	208-240	60	13.52	NEMA 6-20P	Standard
F231-3812-2X-R	Air	1	208-240	60	13.52	NEMA 6-20P	Adjustable
F231-30912-2X	Air	3	208-240	60	11.52	NEMA L15-20P	Standard
F231-30912-2X-R	Air	3	208-240	60	11.52	NEMA L15-20P	Adjustable



**Service Information**  
 800-319-9549 (U.S. Toll Free)  
 920-894-2293 (Outside the U.S.)  
[www.stoeltingfoodservice.com](http://www.stoeltingfoodservice.com)  
[www.vollrath.com](http://www.vollrath.com)